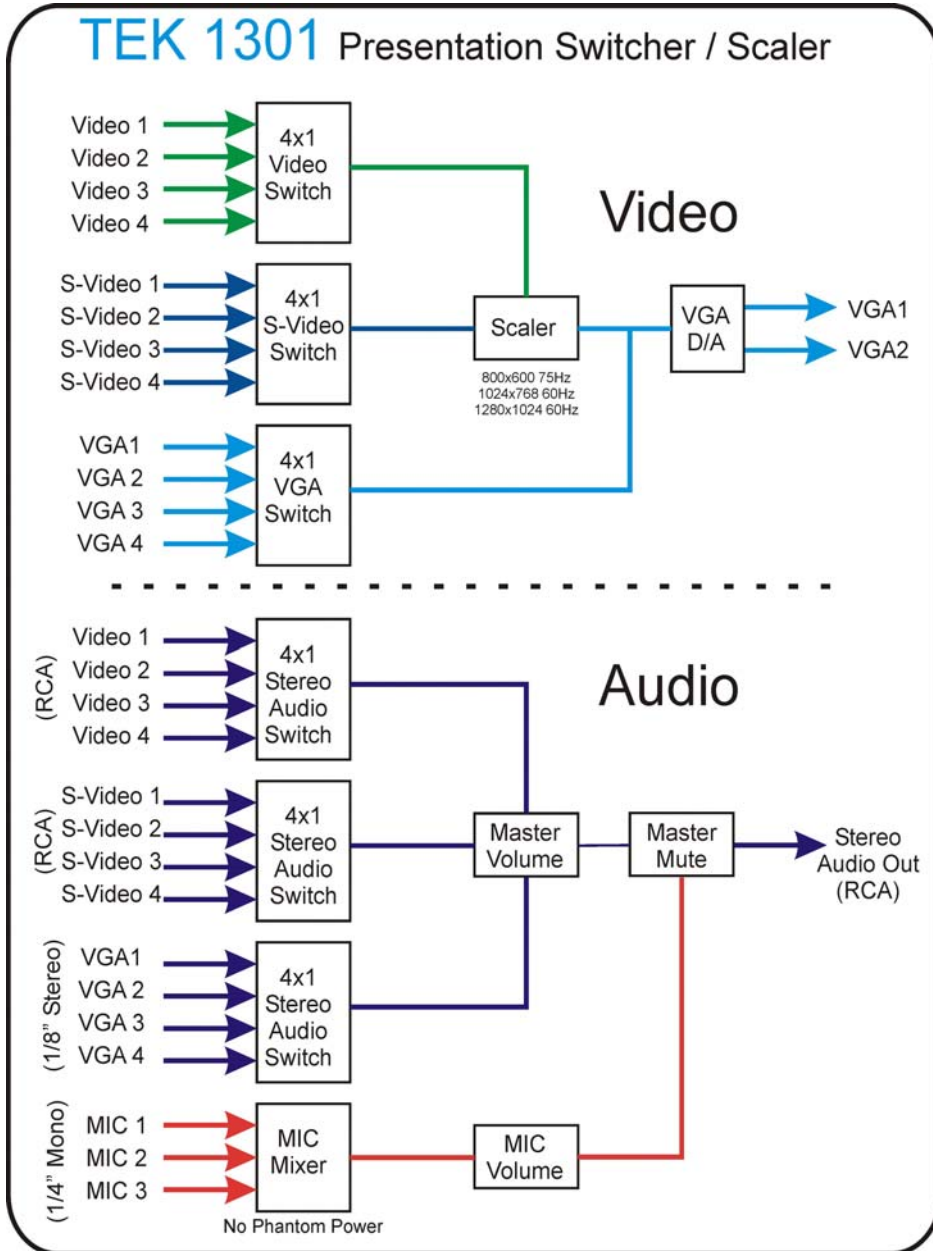


TEKVOX introduces a high quality low cost all-in-one switcher / scaler for classrooms and presentation systems allowing for easy integration. With the TEK 1301 viewing high quality multiple Video, S-Video and VGA sources with stereo audio is simple and easy. Connecting the TEK 1301 is just as easy and only requires one VGA cable to the Video projector or LCD display. An IR remote is included for simple source selection and volume control.



Features

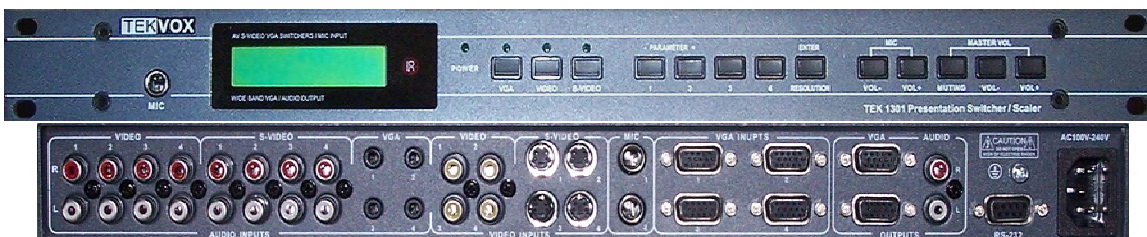
- Supports 4 VGA, 4 S-Video and 4 Video Sources with Stereo Audio
- High Quality Scaler with TBC
- Dual VGA outputs
- Allows for a confidence monitor
- Resolution: 800x600, 1024x768, 1280x1024
- IR Remote Control
- RS-232 control port
- 3 Microphone Inputs
- Separate Volume Control for Sources and Microphones

Benefits

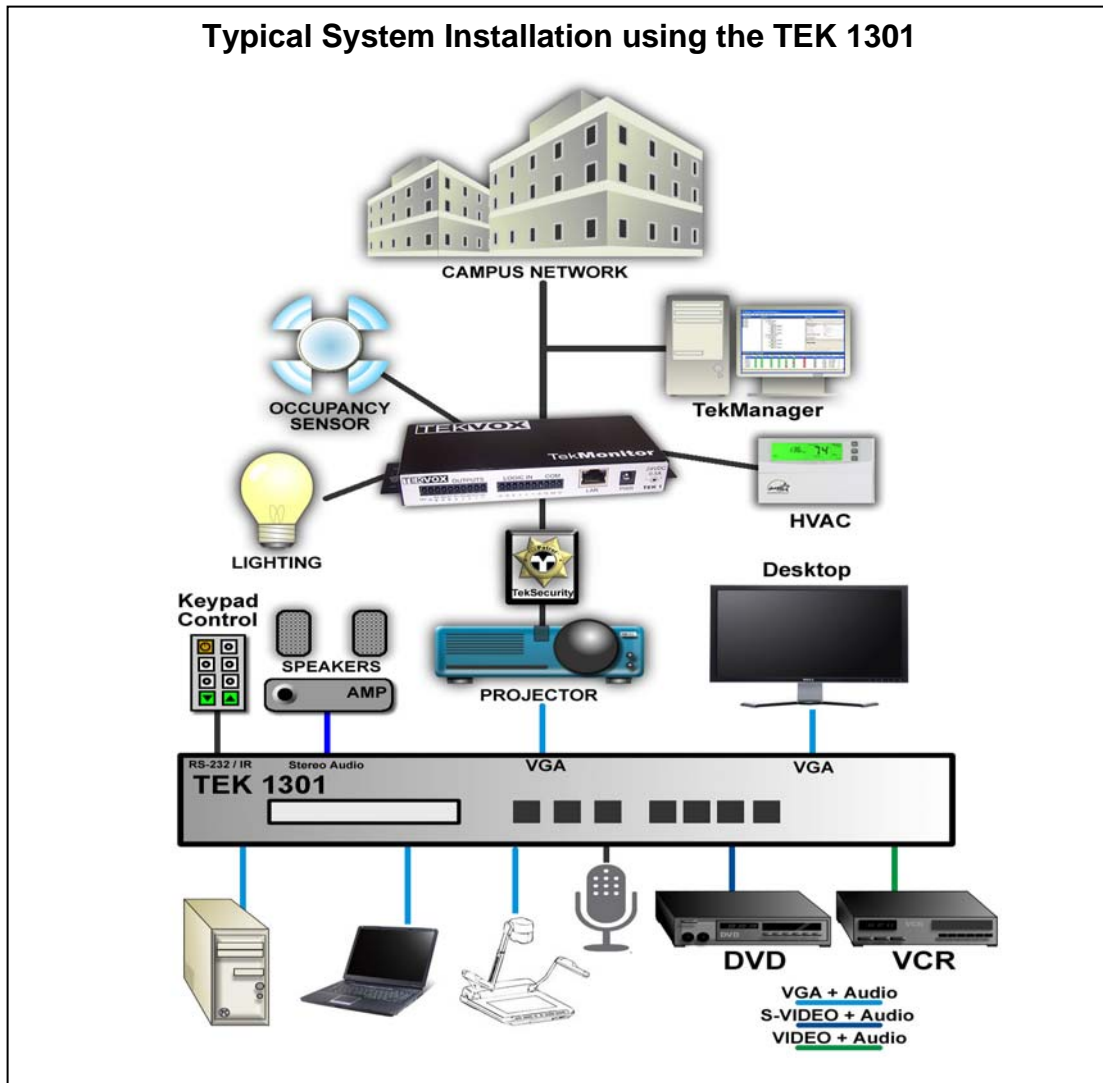
- Easy to install
- Easy to operate
- Reduces cabling
- Reduces rack space
- Reduces operational control for the display
- Low Cost

Options

- TEK 1 Device Management System
- Occupancy Sensor
- Eight Button Keypad for System Control



Typical System Installation using the TEK 1301



Device Specifications

Inputs

Video

Bandwidth	100 MHz
Re-Sampling	9 Bit
Diff Gain	< 0.02%
Diff Phase	< 0.02°

S-Video

Bandwidth	150 MHz
Re-Sampling	9 Bit
Diff Gain	< 0.02%
Diff Phase	< 0.02°

VGA

Bandwidth 250 MHz (Supports 1600x1200)

Specifications are subject to change without notice.

General

Power	110-240VAC, 47/63 Hz, 20 watts,
Temperature/humidity	Storage -40° to +158°F (-40° to +70°C) /10% to 90%
Non-Condensing Operation	+32° to +122°F (0° to +50°C) /10% to 90%
Enclosure type	Metal
Enclosure dimensions.....	1.75" H x 19.1" W x 9.1" D
	/ mm 44.5H x 485 W x 230 D
Product weight	3.30 lbs (1.5 kg)
Shipping weight	7.50 lbs (3.4 kg)
MTBF	30,000 hours
Warranty	3 year parts and labor

