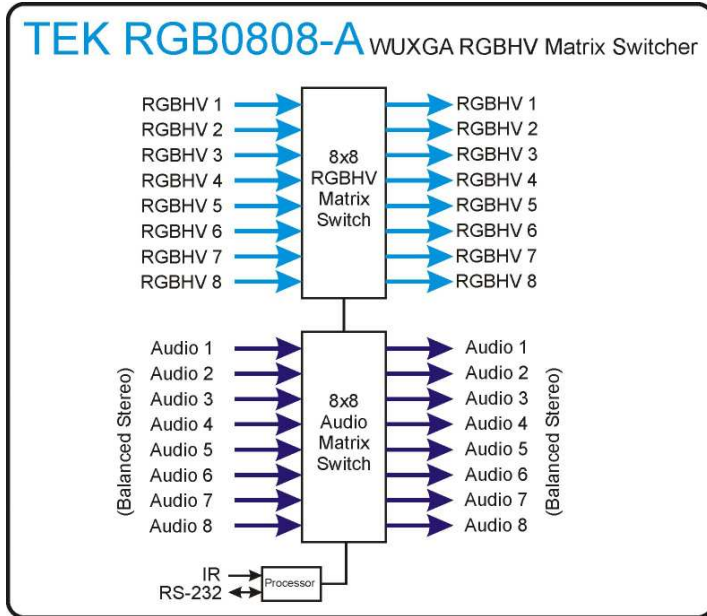


The TEK RGB0808-A is a low cost Wide Bandwidth RGBHV matrix switcher with features allowing for easy integration and operation. Use this matrix switcher to provide for sending WUXGA sources to multiple displays or in videoconferencing applications.



Features

- Supports 8 RGBHV Inputs and 8 RGBHV Outputs
- Balanced Stereo Audio Connections
- Break Away Audio
- IR Remote Control
- RS-232 control port
- 10 Programmable Presets

Benefits

- Easy to install
- Easy to operate
- Simple IR or RS-232 Control
- Low Cost



Device Specifications

Inputs

RGBHV
Bandwidth 450 MHz (Supports 1920x1200)
(-3 dB), fully loaded
Crosstalk 50dB@5Mhz, 45dB @10MHz
Switching Speed 200ns
Nominal level..... 1.0 Vp-p
Max level 2.0 Vp-p
Impedance 75 ohms
Audio
Connector..... Balanced Stereo (Phoenix)

General

Power.....110-240VAC, 47/63 Hz, 60 watts,
Temperature/humidity.....Storage -40°to +158°F (-40°to +70°C)
/10% to 90%
Non-Condensing Operation+32°to +122°F (0°to +50°C) /10% to 90%
Enclosure typeMetal
Enclosure dimensions.....6.30" H x 19.1" W x 9.84" D
/ mm 160 H x 485 W x 250 D
Product weight9.92 lbs (4.5 kg)
Shipping weight
MTBF30,000 hours
Warranty1 year parts and labor

Specifications are subject to change without notice.

