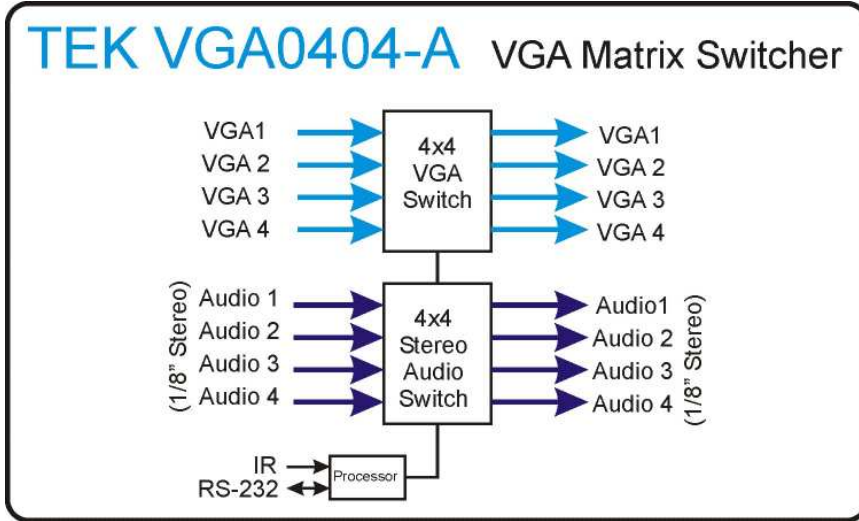


The TEK VGA0404-A is a low cost VGA matrix switcher with features allowing for easy integration and operation. Use this matrix switcher to provide for sending VGA sources to multiple displays or in videoconferencing applications.



Features

- Supports 4 VGA Inputs and 4 VGA Outputs
- 1/8" Stereo Audio Connections
- Break Away Audio
- IR Remote Control
- RS-232 control port
- 10 Programmable Presets

Benefits

- Easy to install
- Easy to operate
- Simple IR or RS-232 Control
- Reduces rack space
- Low Cost



Device Specifications

Inputs

VGA
 Bandwidth250 MHz (Supports 1600x1200) (-3 dB), fully loaded
 Crosstalk50dB@5MHz, 45dB @10MHz
 Switching Speed200ns
 Nominal level..... 1.0 Vp-p
 Max level2.0 Vp-p
 Impedance75 ohms
 Audio
 Connector..... 1/8" Stereo

General

Power.....110-240VAC, 47/63 Hz, 20 watts,
 Temperature/humidityStorage -40° to +158°F (-40° to +70°C) /10% to 90%
 Non-Condensing Operation+32° to +122°F (0° to +50°C) /10% to 90%
 Enclosure typeMetal
 Enclosure dimensions.....1.75" H x 19.1" W x 9.1" D / mm 44.5 H x 485 W x 230 D
 Product weight3.30 lbs (1.5 kg)
 Shipping weight11.46 lbs (5.2 kg)
 MTBF30,000 hours
 Warrantv1 year parts and labor

Specifications are subject to change without notice.

