

V030413

The iPad and iPad Mini are amazing devices used in education by instructors and students every day. Did you know they can also be used as a low cost high resolution touchscreen to control the multimedia devices in a classroom? By using our new TEK 2 and TEK 1201-HD with an iPad, you can create a very powerful multimedia control system without a lot of expensive control equipment and programming. What makes this possible is a new application for the iPad called DemoControlHD by DemoPad. Creating a nice GUI is easy and templates can even be purchased. When used with our TEK 2, adding device control to the DemoPad software becomes extremely easy. One of the features of the TEK 2 is a unique protocol called TekEzLink™. This protocol makes controlling any device very easy by just sending simple Macro commands to the TEK 2. With a TEK 2 there is no need to look up command strings or even poll for data. The TEK 2 will do it all for you. When time comes to change a display, just load a new driver into the TEK 2 and you are up and running.

By adding a TEK 1201-HD Presentation switcher to the system, you are able to display multiple media devices using a single Cat 6 cable to a receiver at the projector. The TEK 1201-HD can also be controlled by the TEK 2 by connecting an RS-232 cable between the TEK 2 and the receiver. This allows the iPad to control both the Projector and the Presentation switcher without having to add more hardware and network drops.

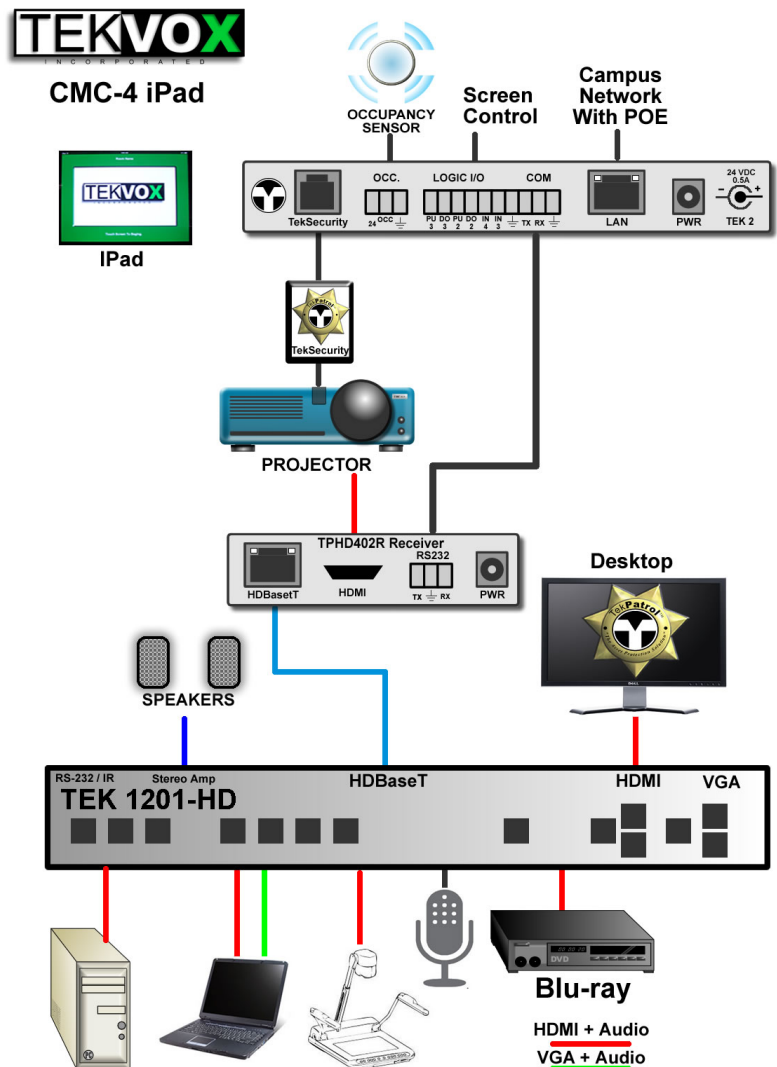
## Features

### TEK 2

- IP Based Mini Controller
- 1 Serial port
- 1 TekSecurity port for display control
- 1 Occupancy detector port
- 2 Logic inputs
- 2 Logic outputs

### TEK 1201-HD

- 4 HDMI 1.3 inputs with HDCP
- 4 VGA inputs
- 1 YPbPr input
- 2 Video inputs
- S-Video input
- Mirrored HDMI and VGA outputs
- Mirrored HDBaseT output with receiver (Up to 200 Feet)
- Output Resolution: XGA, WXGA, 720P, HD 1360x768 and 1080P
- 1 Microphone input
- 1 Stereo Line Level Mix input
- Separate Volume Controls for both Sources and Microphone/Line Mix inputs



Contact us for additional information or to find an Authorized TEKVOX Dealer in your area.

11831 Radium Street, San Antonio, TX 78216 | 210.348.6565 o | 713.490.3135 f | tekpatrol@TEKVOX.com | www.TEKVOX.com

## TEKVOX Classroom iPad Program

To make a system easy to implement we have created a software template for the iPad that you can use to demonstrate the operation of the GUI. An actual running demo for the iPad is available by installing the DemoControl Lite version from the App store and pointing the project file in DPad settings to the following:

### Green Project

Project Location: <http://www.tekvox.com/iPad/TekvoxGrn1201v1>  
Project File Name: TekvoxGrn1201v1

### Red Project

Project Location: <http://www.tekvox.com/iPad/TekvoxRed1201v1>  
Project File Name: TekvoxRed1201v1

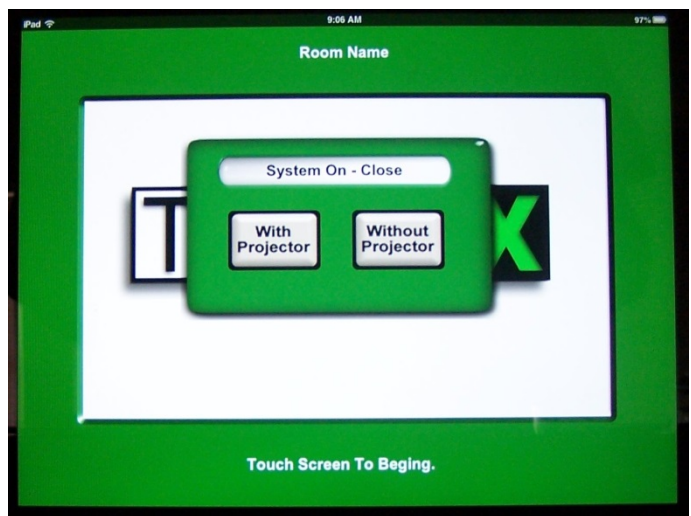
## Operation

The DemoControl Lite version will not control anything and is only used to view the operation of the GUI.

With the DemoControlHD version you can fully control the TEK 2 and TEK 1201-HD. The TEK 2 must be set at IP address 192.168.10.21 in the demo version.

When you run the DPad Control app, the iPad will open a connection with the TEK 2. The TEK 2 will send all of its TekEzLink feedback data to the iPad. This feedback data includes the System On status of the TEK 2 and the projector power status. The iPad will also request the Room Name set in the TEK 2 and change the Room Name on the iPad to what is listed in the TEK 2.

If the System On status is off, the iPad will remain on the Logo page. Pressing anywhere on this page will display the System On popup page. This popup allows the system to be powered on with or without the video projector powering on. When the system is on, the iPad flips to the Main page. This page allows for selecting sources and controlling the operation of the system. Only the Blu-ray has controls associated with it, and is possible by the use of IR or Network interfacing. For IR control, a product like the Global Cache iTach device can be used. Some Blu-ray players have network control, however, and may be controlled directly by the iPad.

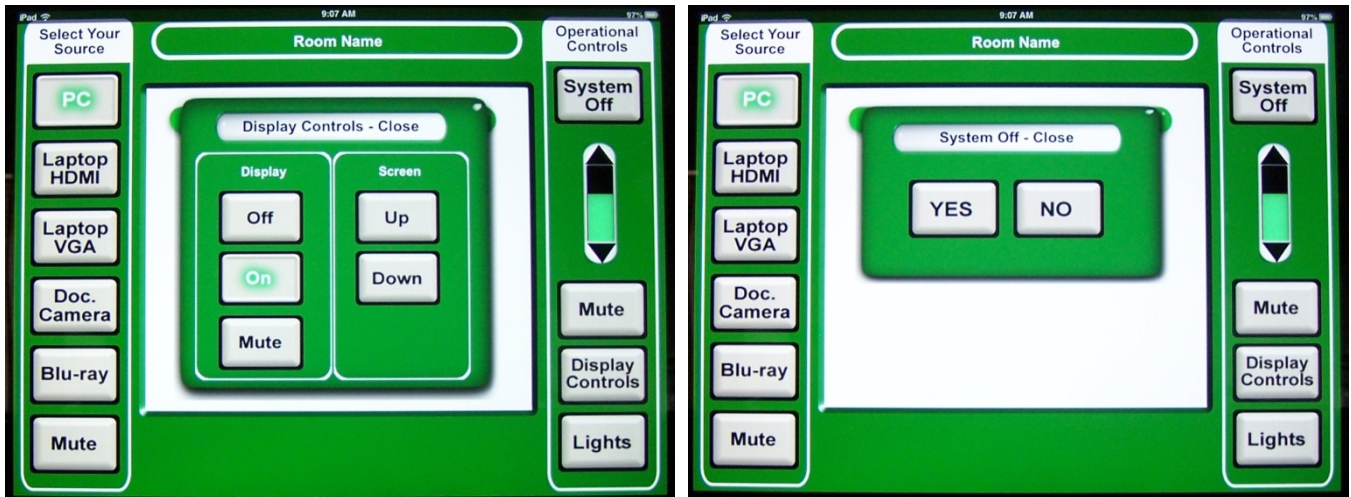




Selecting Display Controls allow for control of the projector and screen. The projector can be powered on and off along with picture mute toggle. These buttons will get their feedback from the TEK 2. When the projector is warming up or cooling down, the Display name above the Off button changes to Standby. Screen or lift controls can be operated by the TEK 2 through the use of logic outputs.

Lighting can be programmed for Lutron or relay contacts again through the use of logic outputs of the TEK 2. Other products like the Global Cache GC-100-12 may additionally be used to add more RS-232 ports, IR and relay control if desired.

Selecting System Off displays the System Off popup. Pressing YES instructs the TEK 2 to power off the system including the projector. The iPad will return back to its Logo page.



## Conclusion

If you are looking for a very cost effective system with lots of inputs and easy control features, the combination of the DemoPad software for the iPad and the TEKVOX TEK 2 and TEK 1201-HD is great solution. With the TekEzLink feature of the TEK 2 adding control for devices is made easy and can save you money when it becomes time to replace devices.

With the DemoPad software there are no licensing hassles to deal with. Some of the other iPad software applications require licensing and these are usually expensive and difficult to transfer to the end user. You can also place the iPad files

on a website for easy upgrades and downloading by your customers. If you want to change a logo, just replace the new logo on the website and the next time the iPad is connected to the website the logo will be updated.

Contact us for additional information or to find an Authorized TEKVOX Dealer in your area.

11831 Radium Street, San Antonio, TX 78216 | 210.348.6565 o | 713.490.3135 f | [tekpatrol@TEKVOX.com](mailto:tekpatrol@TEKVOX.com) | [www.TEKVOX.com](http://www.TEKVOX.com)