



**TEKMV41-HD
HDMI 4x1
Quad Multi-Viewer
(79079)**

User's Manual

Dec. 17, 2018

User Manual

Thank you for purchasing this product

For optimum performance and safety, please read these instructions carefully before connecting, operating or adjusting this product. Please keep this manual for future reference.

Surge protection device recommended

This product contains sensitive electrical components that may be damaged by electrical spikes, surges, electric shock, lightning strikes, etc. Use of surge protection systems is highly recommended in order to protect and extend the life of your equipment.

Table of Contents

1. Introduction	4
2. Features	4
3. Package Contents.....	4
4. Operation Controls and Functions	5
4.1 Front Panel.....	5
4.2 Rear panel	5
5. Display modes.....	6
6. Remote Control	7
7. Connection Diagram	8
8. RS232 Commands	9
9. Specifications	11

1. Introduction

The high performance 4x1 quad multi-viewer supports four high definition input contents be displayed on one screen simultaneously, and five multi-viewer display modes can be selected. The product can be controlled via the front panel button, remote control and RS-232.

2. Features

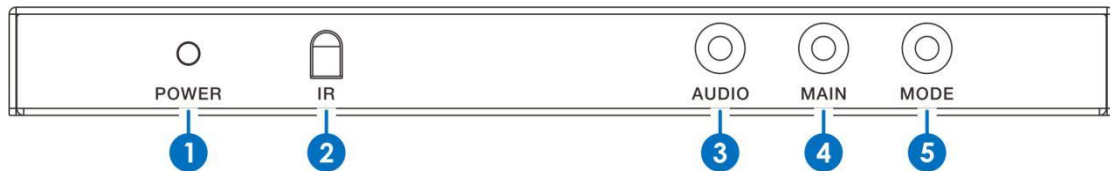
- ✧ HDMI 1.4b, HDCP 1.4 and DVI compliant
- ✧ Video resolutions up to 1080P@60Hz
- ✧ Audio supports LPCM 2/5.1/7.1CH, Dolby 5.1CH, Dolby True HD, DTS-HD
- ✧ Quad multi-viewer with five display modes supported
- ✧ Audio output can be selected come from any one of input sources
- ✧ Button, IR remote, RS-232 control

3. Package Contents

- ✧ 1 x HDMI 4x1 Quad Multi-Viewer
- ✧ 1 x 5V/2A DC Power Adaptor
- ✧ 1 x Remote Controller
- ✧ 1 x User Manual

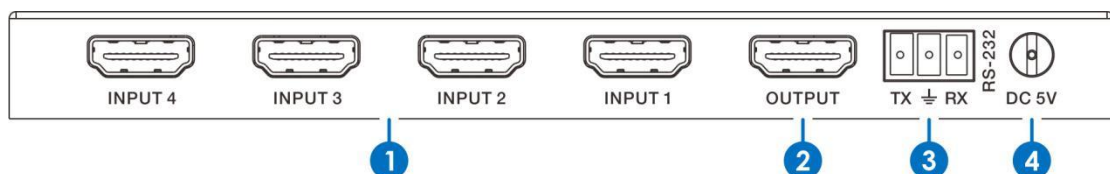
4. Operation Controls and Functions

4.1 Front Panel



- 1** **POWER:** System power indicator.
- 2** **IR:** Remote control receiver window.
- 3** **AUDIO:** Output audio selection or turn off the audio.
- 4** **MAIN:** Input source selection.
- 5** **MODE:** Select multi-viewer display modes. Please see the below detail description.

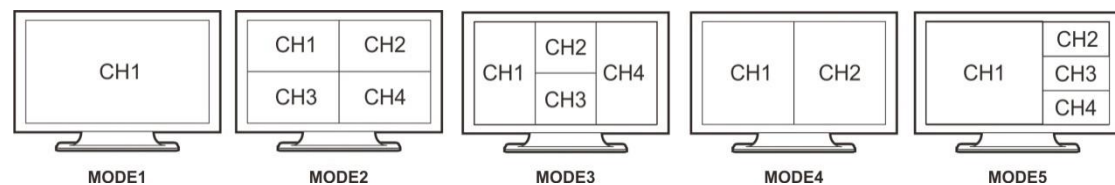
4.2 Rear panel



- 1** **INPUT 1/2/3/4:** Connect to HDMI source devices such as DVD Player.
- 2** **OUTPUT:** Connect to HDMI display device such as TV/Projector.
- 3** **RS-232:** Connect the RS-232 port to your control system.
- 4** **DC 5V:** Connect 5V/2A adaptor to AC wall outlet for power supply.

5. Display modes

The quad multi-viewer has 5 display modes.



MODE1: The quad multi-viewer will separate display the four HD inputs, and switch the MAIN button on front panel or IR remote, the HDMI output will change to the next source, the sequence is IN1-IN2-IN3-IN4-IN1...

MODE2: The quad multi-viewer will divide the four HD inputs into the same size and display on one screen.

MODE3: The quad multi-viewer will divide the four HD inputs to four parts to display on one screen.

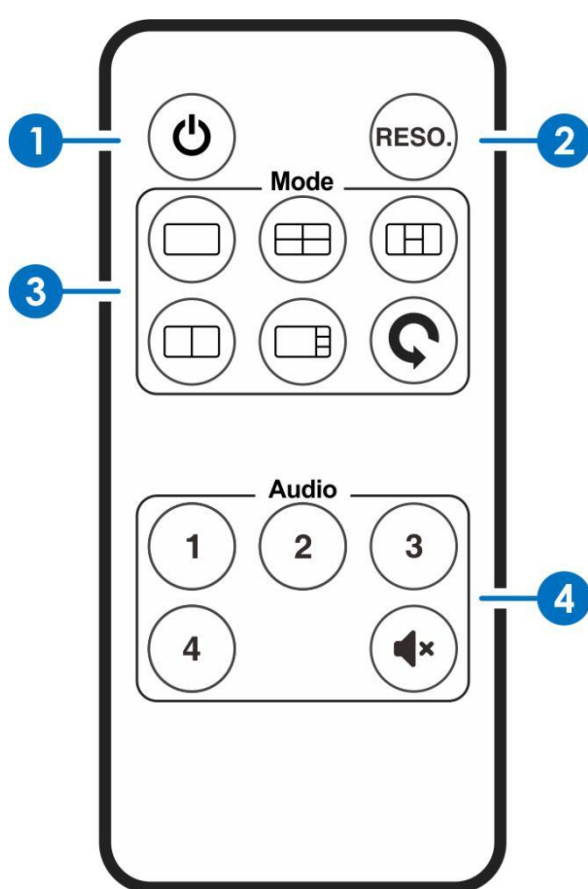
MODE4: The quad multi-viewer will separate display two HD inputs, and switch the MAIN button on front panel or IR remote, the HDMI output will corresponding to the other two HD inputs.

MODE5: The quad multi-viewer divide the four HD inputs to one bigger and three smaller pictures display on one screen. And switch the MAIN button on front panel or IR remote, the bigger pictures will corresponding to the selected input source, then the HDMI output audio follow the bigger picture source.

Attention:

Switch the AUDIO button on front panel or buttons in Audio area on IR remote, the HDMI output audio will corresponding to the selected input source or be muted.

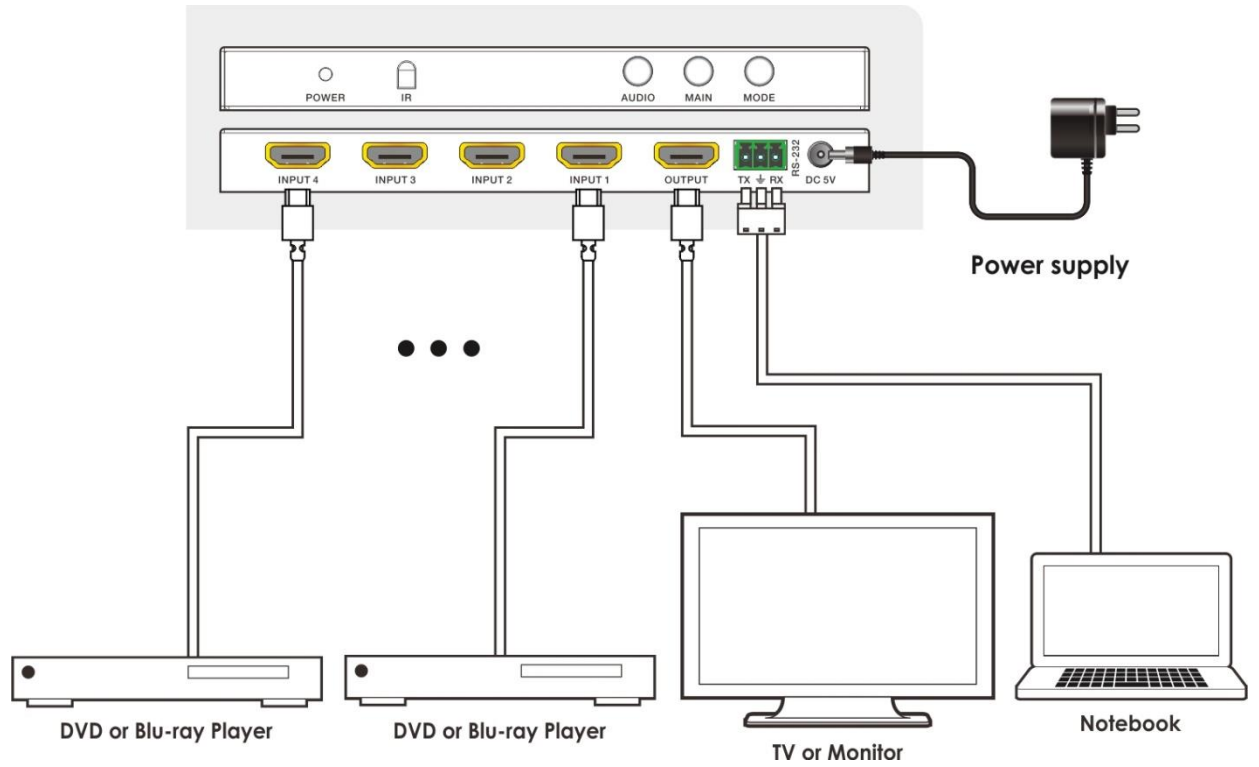
6. Remote Control



- 1 Power /Standby:** Press this button to power on the unit or set it to standby mode.
- 2 Resolution:** Press this button to set output resolution between 720P and 1080P.
- 3 Mode:** Press these buttons, the quad multi-viewer will select the corresponding mode, see the description (chapter 5.3).
Press the last button will change the display mode among 5 modes.

- 4 Audio:** Press these buttons, the quad multi-viewer can select the audio from the current source. Press the mute button, the audio will be muted.

7. Connection Diagram



8. RS232 Commands

Communication protocol:

Baud rate: 9600

Data bit: 8

Stop bit: 1

Parity bit: none

Terminate with <CR> Hex 0D

Feedback command name Terminate with <LF> Hex 0A

Command	Description
PWR0<CR>	Power Off
PWR1<CR>	Power On
OSD0<CR>	OSD Off
OSD1<CR>	OSD On
RES1<CR>	Resolution 720p @60Hz
RES2<CR>	Resolution 1080p @60Hz
SMD1<CR>	Single Screen Input 1 (MODE1)
SMD2<CR>	Single Screen Input 2
SMD3<CR>	Single Screen Input 3
SMD4<CR>	Single Screen Input 4
DMD12<CR>	Dual Mode: Inputs 1&2 (MODE4)
DMD34<CR>	Dual Mode: Inputs 3&4
QMD0<CR>	Quad View Mode (MODE2)
HMD<CR><LF>	*Quad View Divided Mode (MODE3)
QMD1<CR>	One Big Screen 3 Small Main Input 1 (MODE5)
QMD2<CR>	One Big Screen 3 Small Main Input 2
QMD3<CR>	One Big Screen 3 Small Main Input 3
QMD4<CR>	One Big Screen 3 Small Main Input 4

Command	Description
SWA1<CR>	Switch Audio Input 1 to Channel
SWA2<CR>	Switch Audio Input 2 to Channel
SWA3<CR>	Switch Audio Input 3 to Channel
SWA4<CR>	Switch Audio Input 4 to Channel
VBX0<CR>	Clear Split Line
VBX1<CR>	Draw Split Line
SWA0<CR>	Mute
VER*<CR><LF>	*Check Firmware Version

*Requires both <CR> & <LF>

9. Specifications

Technical	
HDMI Compliance	HDMI 1.4b, compliant with DVI 1.0
HDCP Compliance	HDCP 1.4
Video Bandwidth	6.75Gbps
Video Resolutions	1080P@60Hz, 720p@60Hz, 480P@60Hz
Color Space	RGB, YCbCr 4:4:4, YCbCr 4:2:2
Color Depth	10-bit, 12-bit
HDMI Audio Formats (Pass-through)	LPCM 2/5.1/7.1CH, Dolby Digital, DTS 5.1, Dolby Digital+, Dolby TrueHD, DTS-HD Master Audio, Dolby Atmos, DTS:X
ESD Protection	Human body model — ±8kV (air-gap discharge) & ±4kV (contact discharge)
Connections	
Inputs	4x HDMI Type A [19-pin female]
Output	1x HDMI Type A [19-pin female] 1x RS-232 [3.81mm Phoenix connector]

Mechanical	
Housing	Metal Enclosure
Color	Black
Dimensions	160.2mm [W] x 84mm [D] x 15.5mm [H]
Weight	337g
Power Supply	Input: AC100 - 240V 50/60Hz Output: DC 5V/2A (US/EU standards, CE/FCC/UL certified)
Power Consumption	6W(Max)
Operation Temperature	32 - 104°F / 0 - 40°C
Storage temperature	-4 - 140°F / -20 - 60°C
Relative Humidity	20 - 90% RH (no condensation)