

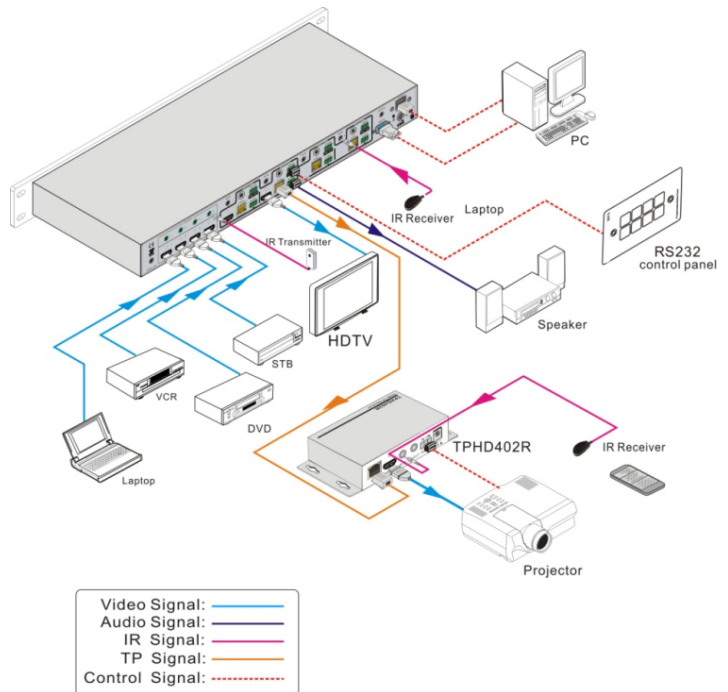
The TEK MUH44TP 79055 is a unique 4K 4x4 HDMI matrix switcher with HDBaseT outputs and EDID & HDCP management. IR and RS-232 inserters Included in the unit for the HDBaseT connections as well as audio de-embedders with both analog and digital outputs. Any input can be routed to any output with support for high resolution 4Kx2K@60hz and 1080p 3D. Except with embedded HDMI audio, the MHD44TP provides 4 auxiliary audio outputs. Audio source is selectable via RS232 command. Selected audio is output via HDMI outputs& HDBaseT outputs and the audio output sockets.

Benefits

- Easy to install and operate
- Reduces cabling and cost
- Reduces rack space
- Easy integration using Cat6 cabling

Features

- Supports HDMI 1.4 & HDCP2.2, and compliant with lower standards, capable of transmit 4Kx2K@60Hz & 1080p 3D
- Supports manual HDCP management and auto-detecting
- Transmits 4Kx2K signal for 8m via HDMI port, 40m via HDBT port
- Audio source selectable via RS232 commands
- 4 HDBaseT outputs, for easy extension to 70m at 1080p and 40m at 4Kx2K on a single Cat 6A shielded cable
- Supports PoC
- LCD screen shows real-time I/O connection status, switching status, HDCP status, and output resolution.
- Controllable via front panel, RS232, IR and TCP/IP
- Supports bi-directional IR& RS232 control
- Powerful EDID management
- Supports firmware upgrade through Micro USB port



Device Specifications

Video Input		Video Output	
Input	4 HDMI	Output	2 HDMI 4 HDBaseT
Input Connector	Female HDMI	Output Connector	Female HDMI Female RJ45(with LED indicators)
Input Level	T.M.D.S. 2.9V/3.3V	Output Level	T.M.D.S. 2.9V/3.3V
Input Impedance	100Ω (Differential)	Output Impedance	100Ω (Differential)
Video General			
Gain	0 dB	Bandwidth	10.2Gbit/s
Video Signal	HDMI (or DVI-D)		
Resolution Range	Up to 4Kx2K@60Hz	Switching Speed	200ns (Max.)
Transmission Distance	200' @ 1080 or 130' at 4K		
EDID Management	EDID data and manual EDID management		
HDCP	Supports HDCP 2.2, auto and manual HDCP management.		
Audio General			
Output Signal	Stereo audio Digital audio	Output Connector	4 3p captive screw connectors 4 Coax (RCA)
Stereo Output	200 ohm	Coax Output	Supports PCM, Dolby, DTS 5.1
Frequency Response	20Hz~20KHz		
Control Parts			
Control Ports	4 IR OUT (green) 4 IR IN (black) 1 IR EYE (black) 1 TCP/IP (female RJ45) 1 RS-232 (9 pin female D) 4 RS-232 (3p captive screw connectors)	Panel Control	Front panel buttons
IR	Default IR remote Extend IR EYE	TCP/IP Control	Works with PTNET2.2
General			
Power Supply	DC 24V 2.71A	Power Consumption	48W
Temperature	-20 ~ +70°C	Humidity	10% ~ 90%
Case Dimension	W19 x H1.73 x D9.25 IN. (1U high, full rack wide)	Product Weight	2.0Kg

Warranty Notification: Installation of this product without TEKVOX-supplied shielded cables or TEKVOX-approved equivalents shall be cause for loss of warranty coverage.