

71406-HD/BT

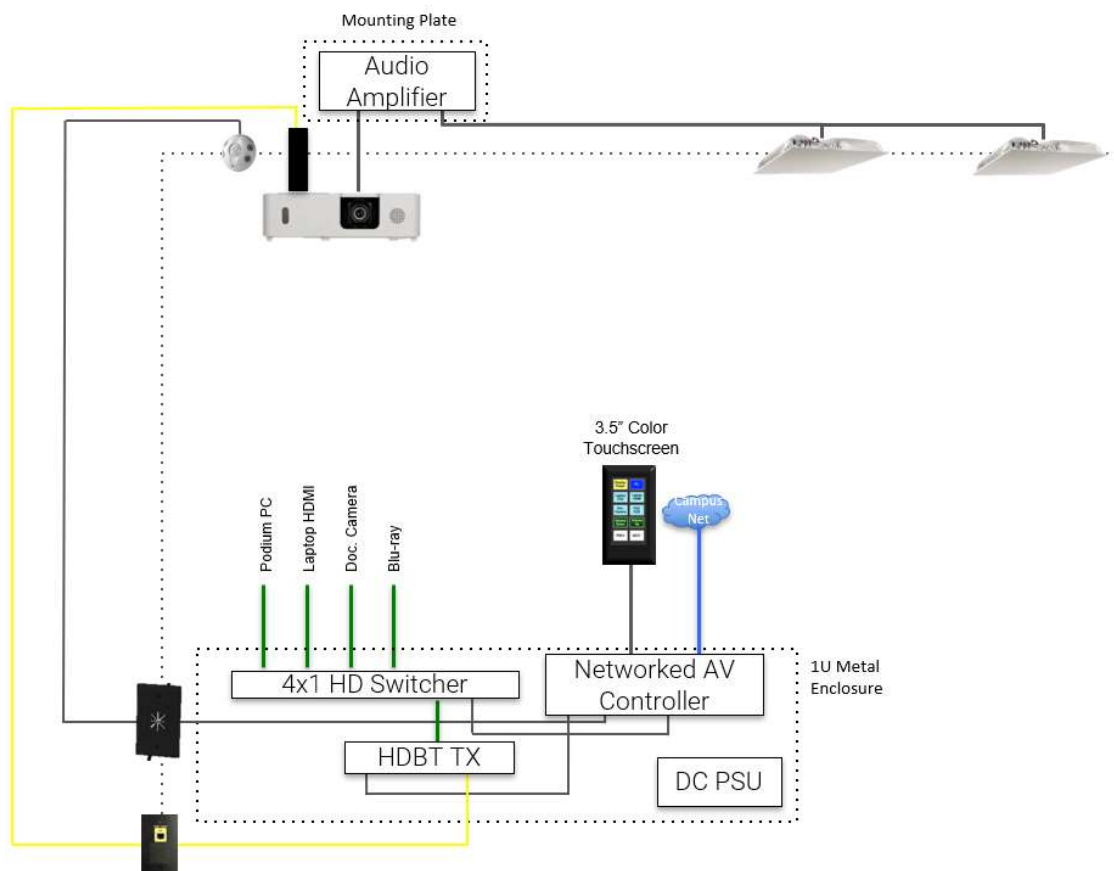
Foundation w/ Audio Drop-In Data Sheet

The 71406 features a seamless 4x1 HD video switcher with five different multi-view modes and independent audio control. Multiview borders and on-screen displays can be toggled via RS232 commands. Powerful HDBaseT transmission sends audio, video, and control signals to a display up to 70 meters away. An in-ceiling audio amplifier is included for driving 2x2 ceiling-tile speakers for high quality, full-room sound. The touchscreen controller – mountable on a table or wall – provides users with convenient, total control over their display, video, and audio.

Assembled in a custom all-metal, 1U surface or rack-mountable enclosure, the 71406 offers a plug-and-play, fully managed digital A/V solution for classrooms and conference rooms that can be assembled in just minutes.

Features:

- Compatible w/ all TEKVOX management software
- Integrated management, switching & HDBT transport
- Occupancy-based automation
- All required cables and plates included
- Audio through in-ceiling amplifier and speakers
- '-BT for HDBT displays, '-HD for HDMI displays
- Shipped fully functional and pre-programmed
- Options available for 3.5" or 7" color touchscreens



71406-HD/BT

Foundation w/ Audio Drop-In Options

User Interface Devices

3.5" Color Touchscreen	1.5" x 2.5" programmable touchscreen w/ up to 4 pages of 8 controls each
7" Color Touchscreen Tablet	7" HD touchscreen, custom user interface w/ unlimited controls

Equipment Mounting Locations

Podium/Dais/Credenza	1U Equipment enclosure mountable in any standard 19" equipment rack
Surface-Mounting	Enclosure includes mounting wings for attaching to any horizontal/vertical surface

Audio Amplifiers

Channels	Voltage (V)	Power Output/Channel (W)	Output Resistance (Ω)
2		50	8
1	70	40	

System Specifications

HDMI/HDCP/DVI Compliance	HDMI 1.4b, HDCP 1.4 and DVI 1.0 compliant
Supported Video Resolutions	1080P, 720p, and 480P at 60 Hz
HDMI Video Bandwidth	6.75 Gbps
HDMI Pass-through Audio Formats	LPCM, Dolby Digital, Dolby True, DTS-HD
ESD Protection	Human body model: +8kV (air-gap discharge), +4kV (contact)
Color Space / Depth	RGB, YCbCr 4:4:4, YCbCr 4:2:2 / 10 or 12-bit
Inputs	4 HDMI Type A [19-pin female] 1 RJ-45 Cat5e 2 RJ-12 1 IEC 320-C14 [3-pin Male]
Outputs	1 RJ-45 Cat6a Shielded
Maximum Distance to Display	70m [230 ft]
Power Supply	Input: AC100-240V 50/60Hz
Power Consumption	35W (Max)
Enclosure Dimensions	19" [W] x 12.125" [D] x 1.75" [H]; 5.8 lbs.
Operation Temperature	32 - 95°F / 0-35°C

Specifications are subject to change without notice

