

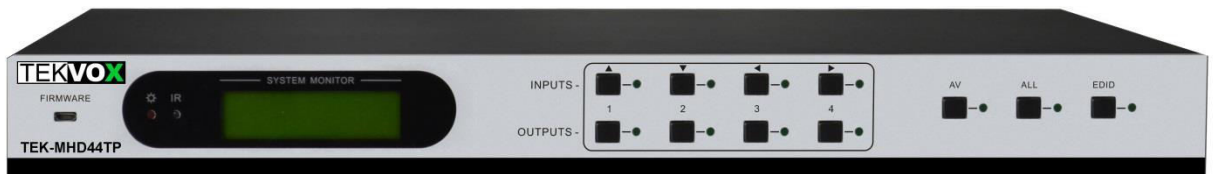
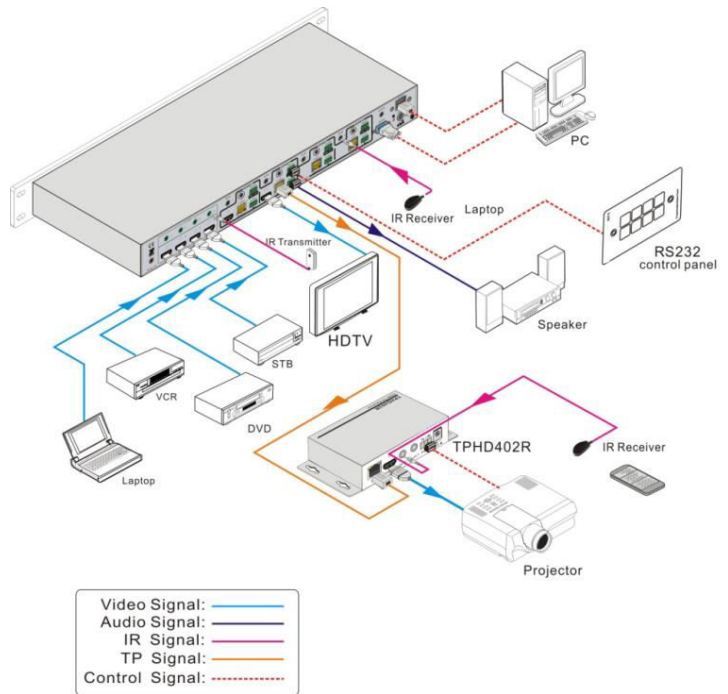
The TEK MHD44TP 79055 is a unique 4x4 HDMI matrix switcher with HDBaseT outputs and EDID & HDCP management. IR and RS-232 inserters Included in the unit for the HDBaseT connections as well as audio de-embedders with both analog and digital outputs. Any input can be routed to any output with support for high resolution 1080P and HD-3D. Breakaway audio however, is not supported. The HDBaseT output supports PoE and works with TPHD402PR to transmit HDMI, IR, and RS-232 over a single Cat5e/Cat6 cable up to 200 feet.

### Benefits

- Easy to install and operate
- Reduces cabling and cost
- Reduces rack space
- Easy integration using Cat 5e and Cat6 cabling

### Features

- Resolution up to 1920\*1200@60Hz including HD-3D
- HDCP compliant and DVI 1.0 compatible
- Powerful EDID and HDCP management
- Detects input signal for power control of DVD/Blu-ray
- HDBaseT Lite outputs, to transmit HDMI, IR, and RS232 up to 200 feet over a single Cat 5e/Cat 6 cable
- Output PoE provides power for all the receivers connected to the HDBaseT outputs
- RS-232 and TCP/IP (Optional) control with simple ASCII commands
- IR control
- IR OUT signal switching follows with video signal, or can break away from video switching
- Front panel menu operation for configuration, control, and status
- Supports remote control from receiver by IR or RS232 by sending embedded commands to control devices
- Supports centralized IR control to control all remote display devices
- Supports PCM, Dolby, and DTS 5.1 surround
- Standby mode operation to reduce energy and extend life



# Device Specifications

Video Input		Video Output	
Input	4 HDMI	Output	2 HDMI 4 HDBaseT
Input Connector	Female HDMI	Output Connector	Female HDMI Female RJ45(with LED indicators)
Input Level	T.M.D.S. 2.9V/3.3V	Output Level	T.M.D.S. 2.9V/3.3V
Input Impedance	100Ω (Differential)	Output Impedance	100Ω (Differential)
Video General			
Gain	0 dB	Bandwidth	6.75Gbit/s
Video Signal	HDMI (or DVI-D)	Maximum Pixel Clock	165MHz
Resolution Range	Up to 1920 x 1200 or 1080P@60Hz	Switching Speed	200ns (Max.)
Transmission Distance	200 feet with PoE		
EDID Management	EDID data and manual EDID management		
HDCP	Supports HDCP 1.3, auto and manual HDCP management.		
Audio General			
Output Signal	Stereo audio Digital audio	Output Connector	4 3p captive screw connectors 4 Coax (RCA)
Stereo Output	200 ohm	Coax Output	Supports PCM, Dolby, DTS 5.1
Frequency Response	20Hz~20KHz		
Control Parts			
Control Ports	4 IR OUT (green) 4 IR IN (black) 1 IR EYE (black) 1 TCP/IP (female RJ45) 1 RS232 (9 pin female D) 4 RS232 (3p captive screw connectors)	Panel Control	Front panel buttons
IR	Default IR remote Extend IR EYE	TCP/IP Control	Works with PTNET2.2
General			
Power Supply	Input: 100VAC ~ 240VAC, 50/60Hz Output: DC48V,1.6A	Power Consumption	48W
Temperature	-20 ~ +70°C	Humidity	10% ~ 90%
Case Dimension	W19 x H1.73 x D9.25 IN. (1U high, full rack wide)	Product Weight	1.8Kg
Warranty	3 years parts and labor		

Specifications are subject to change without notice.