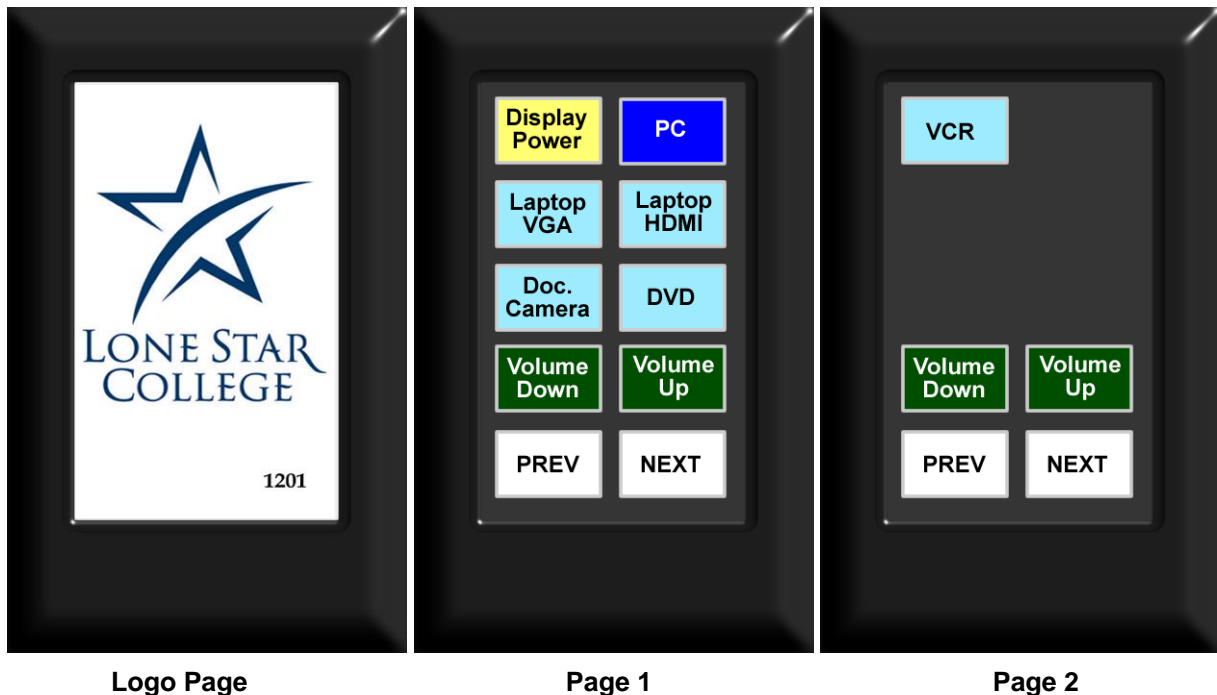


The TekTouchPad is preconfigured for the replacement of the TEK 1201 Version 1 and 2 TekKeypads. To identify the TekTouchPad a device number is shown in the bottom right corner of the Logo Page.

When the TekTouchPad has been idle for more than 30 minutes, the screen will go black. Touching the screen will first display the LSCS Logo for 10 seconds unless it is pressed again where it will go to Page 1. Buttons will actually get their feedback from the TEK 1201. Buttons that are on have brighter background colors.

Pressing the NEXT button displays Page 2. This page has the selection for the VCR. Use the PREV button to go back to Page 1.



Supplied with the TekTouchPad and Wedge are the following:

- 1 TekTouchPad top assembly
- 1 TekTouchPad Subbase plate
- 1 80014 TekTouchPad Cable harness
- 1 12 volt AC wall adaptor
- 1 3.5mm Mono Phono Plug
- 2 4/40 Subbase mounting screws

Button Video Input Assignment

- PC.....VGA 1
- Laptop VGAVGA 2
- Laptop HDMI.....HDMI 2
- Doc Camera.....HDMI 1
- DVDComponent
- VCRVideo 2 (Audio to VCR side)

Installation

Version 1 TekKeypad

First remove the keypad, power supply and RS232 control cable to TEK 902. The only wires used are the IR / Login In 3 and GND. Connect the IR wire to the Tip and the GND to the Sleeve of the supplied 3.5mm plug. If the Podium Equipment Security cable is used, you will need to connect the end of the loop to ground. This can be done on the GND sleeve connection.

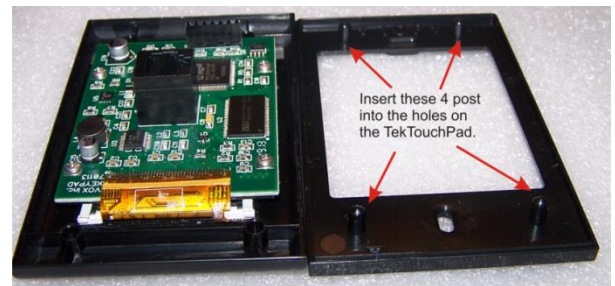
Version 2 TekKeypad

First remove the keypad, Cat 5 cable, power supply, 3.5mm male phono connector, white connector plate / gray box and RS232 control cable to TEK902. If the red Podium Equipment Security cable is wired to the inside of the connector plate, you will need to connect it to ground wire of the 3.5 mm plug. This can be done on the GND sleeve connection of the 3.5 mm plug.

TekTouchPad

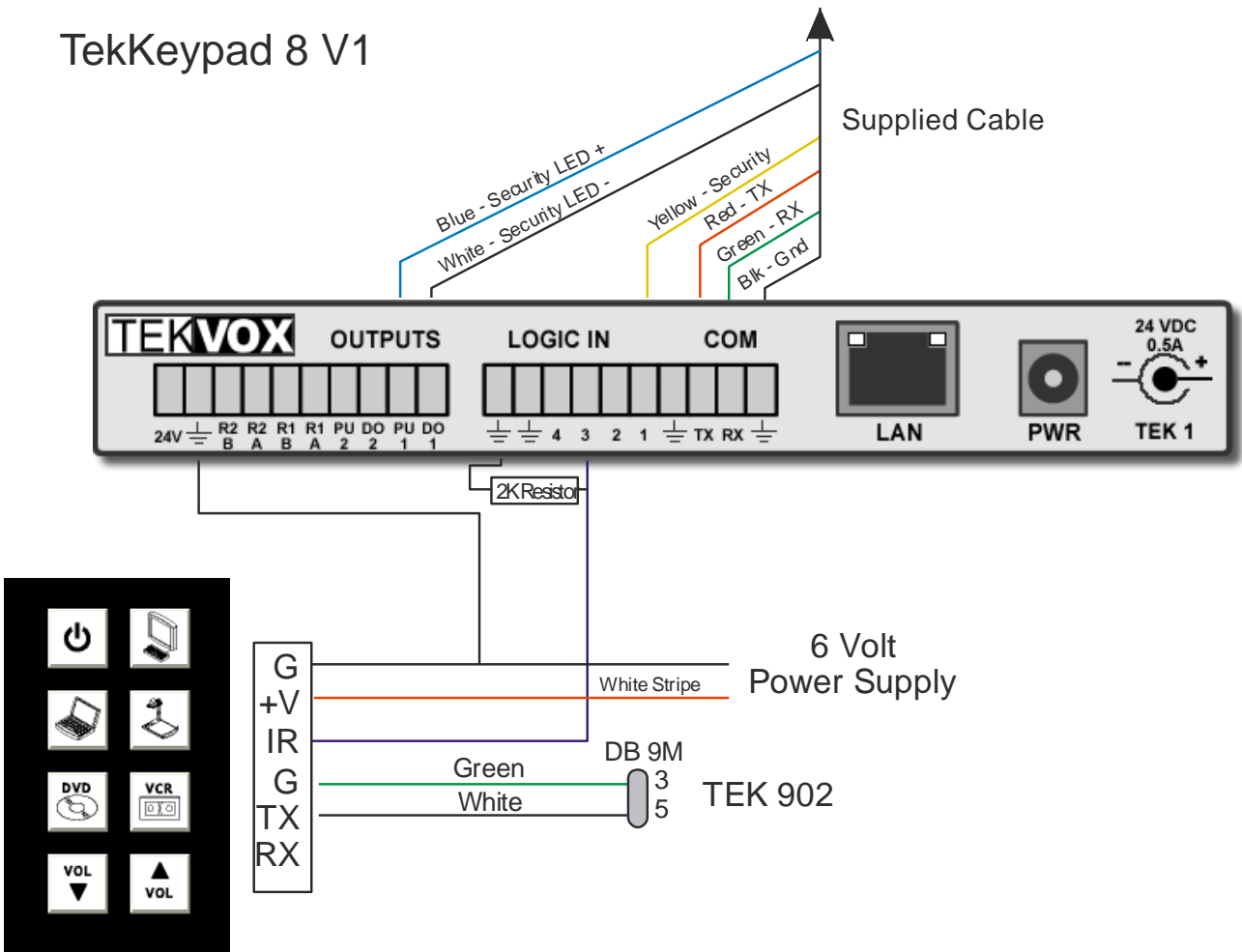
1. Mount the TekTouchpad subbase to the wedge. Use the two supplied 4/40 mounting screws to secure it.
2. Connect the 80014 RJ-12 cable to the back of the TekTouchPad and make certain you leave enough slack to remove the TekTouchPad once it is installed.
3. Plug the 3.5mm male phono connector in to the 3.5mm Female 80014 cable.
4. Carefully press the TekTouchPad on to the Subbase, without pressing on the glass, until it is firmly inserted.
5. Connect the DB-9 male directly to the TEK 1201's supplied RS-232.
6. Connect the supplied 12 volt power supply power cable to the 80014 female 2.1 mm power cable.

If touchscreen needs calibration, power-cycle the unit while pressing center of screen. It is best to use a stylus or something like a small eraser to set calibration points.

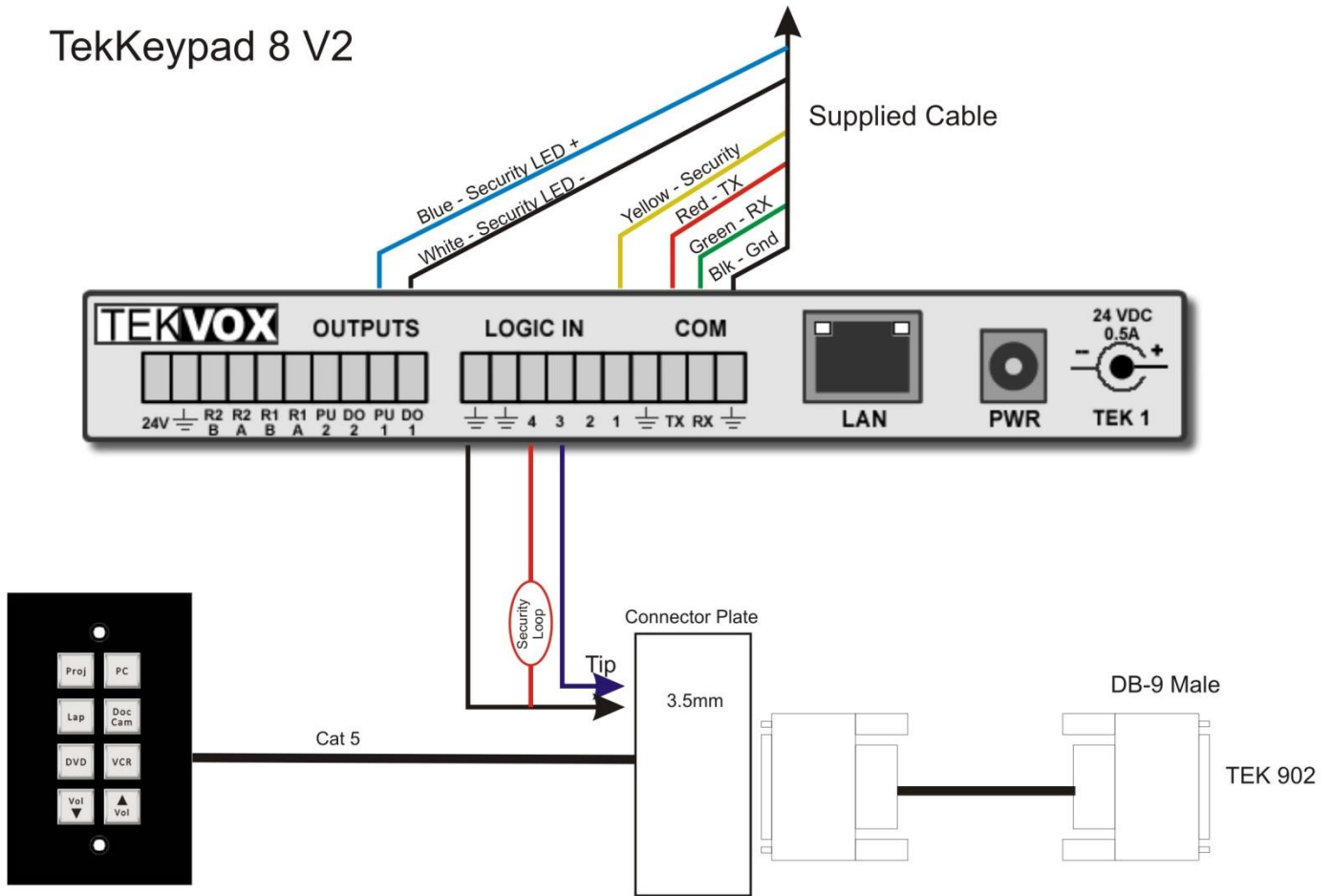


Wedge is not included.

TekKeypad 8 V1



TekKeypad 8 V2



TekTouchPad

