

Dual Divisible Drop-In

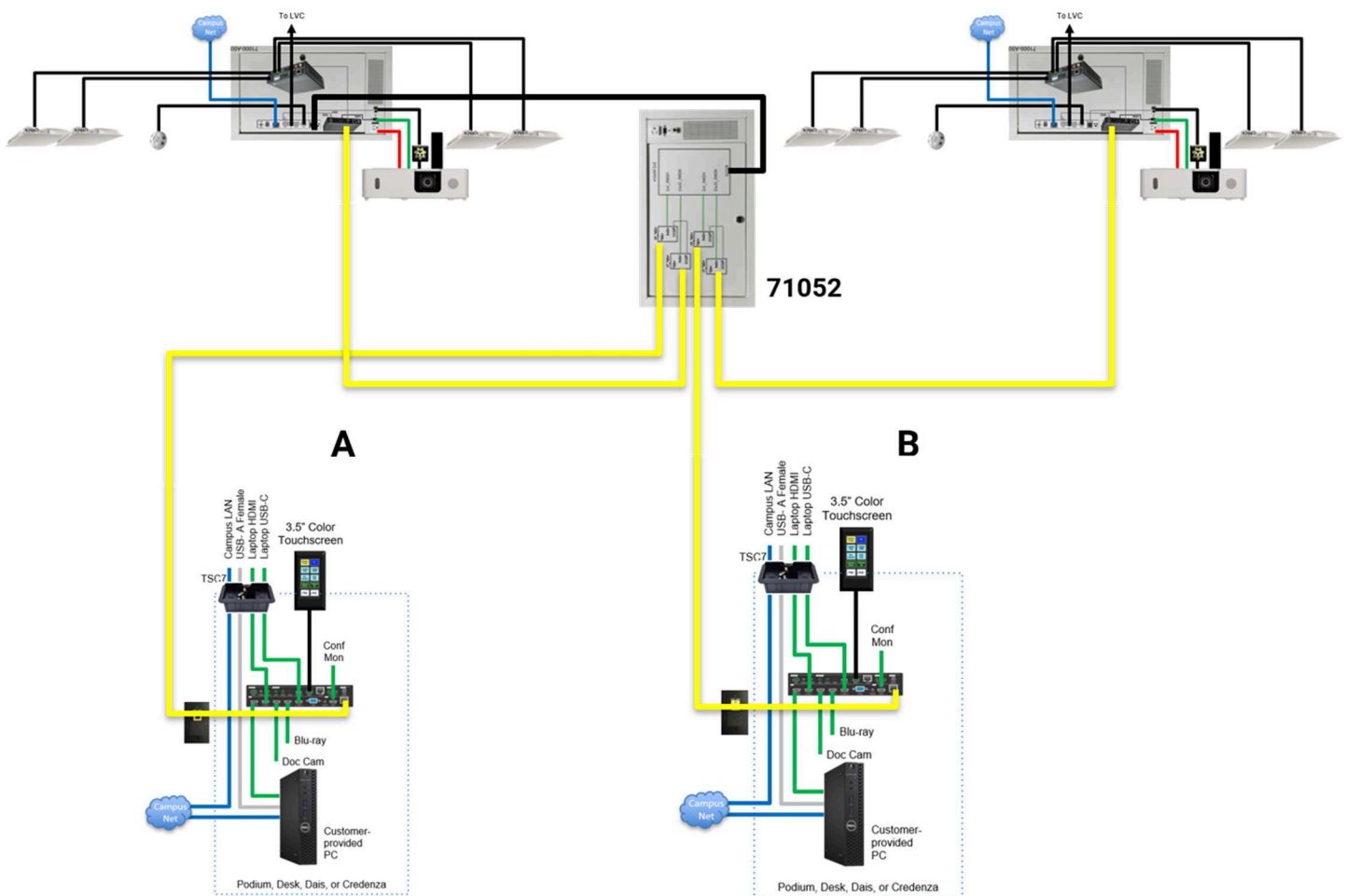
71021-RC2 Data Sheet

TEKVOX divisible rooms solutions take the complexity and variability out of deploying and using partitioned classrooms. The 71021-RC2 double divisible room consists of two complete classroom Drop-Ins, with each capable of either displaying its own in-room sources as an independent system, or mirroring the other room's output as part of a large, dual-display classroom.

Both rooms feature the full, advanced functionality of a 71021-DI Drop-In, and include TCX10 10" Touchscreen Controllers for unmatched ease-of-use. Each room is equipped with its own audio amplifier, speaker system, occupancy sensor, and video sources (PC, document camera, Blu-ray player, WiPS unit, etc.)

Features:

- Combined or separate operation for simple, elegant operation in any configuration
- Each room acts as a complete, fully-operational 71021-DI Drop-In
- Anti-theft protection, occupancy-based automation & electric screen lift in each room
- High-quality, rigorously tested HDBase-T signal paths for lossless, no-mess installation
- Custom user interface & 10" touchscreen for personalized control at your fingertips
- Shipped fully functional, pre-programmed, and rigorously tested



Dual Divisible Drop-In

71021-RC2 Data Sheet

| | |
|--|--|
| System Inputs (per Room) | 5 HDMI (19-pin, Female) 1 VGA (15-pin, Female) |
| Supported Resolutions | Up to 1080p @ 60Hz |
| User Interface (for each room) | TCX10 10" Touchscreen Controller |
| Display Support (per Room) | Single Display |
| Maximum Transmission Distance (instructor podium/desk to display) | 1080p: 230 ft (70m) |
| Audio Amplifiers Supported (for each room) | 8Ω @ 2x50/1x100W or 70V @ 40W |
| Additional Features | Seamless separated or combined operation Occupancy-based Automation Pure-hardware, real-time anti-theft protection |

Specifications are subject to change without notice