

# Tier 2 Conference Room

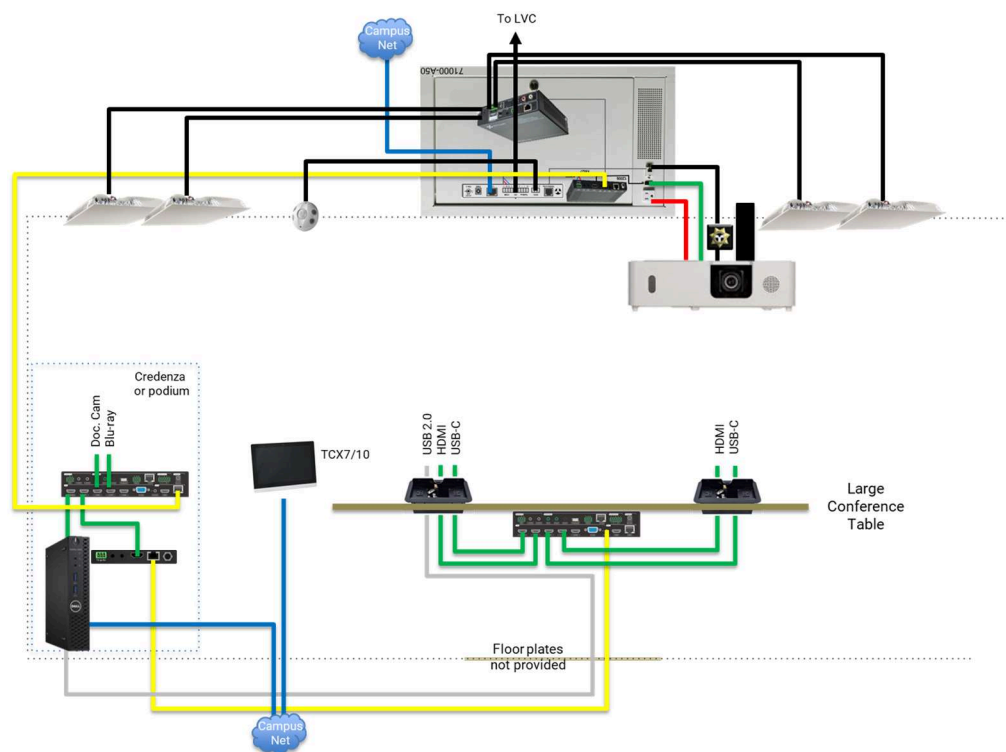
## 71021-T2 Data Sheet

TEKVOX's 71021-T2 Drop-In provides a powerful, robust, and versatile managed A/V control solution for any large, modern conference room. Expanding on the capabilities of the 71021-T1, the Tier 2 Conference Room adds support for larger conference tables, as well as a presenter's podium or credenza for housing a PC, document camera, Blu-ray player, and more.

This system is built around a pair of 1201-N+ presentation switchers—one housed underneath the conference table, and the other installed in the presenter's podium. The 1201-N+ supports 6 HDMI, USB-C, or VGA connections, and automatically detects and switches when a new source is connected. Users can choose among any of the sources housed in the podium, or the currently connected source on the conference table. A 10" touchscreen controller provides personalized, easy-to-use controls, and occupancy-based automation allows the conference room to power up when needed, and power down when vacant to save electricity. For installations requiring video conferencing, the Tier 2 Conference Room is fully compatible with TEKVOX's ShareView technology, enabling users to share local content without creating additional meeting instances.

### Features:

- Supports 6 HDMI, USB-C, or VGA at-table connections & 5 permanent in-room sources
- Single-cable installation from podium to ceiling control enclosure
- Asset protection, occupancy-based automation, and (optional) electric screen lift control
- Unparalleled ease of use with automatic switching among table sources
- '-SV for a conference room solution fully-equipped with video conferencing & ShareView
- Shipped fully functional, pre-programmed, and rigorously tested



# Tier 2 Conference Room

## 71021-T2 Technical Specifications

<b>Inputs</b>	<b>On-table user devices:</b> 5 HDMI (19-pin, Female), 1 VGA (15-pin, Female) <b>Permanent in-room sources:</b> 4 HDMI (19-pin, Female), 1 VGA (15-pin, Female)
<b>Supported Resolutions</b>	Up to 1080p @ 60Hz
<b>User Interface</b>	TCX10 10" Touchscreen Controller
<b>Display Support</b>	Single Display
<b>Maximum Transmission Distance (instructor/presenter desk to display)</b>	1080p: 230ft (70m)
<b>Audio Amplifiers Supported</b>	8Ω @ 2x50/1x100W or 70V @ 40W
<b>Additional Features</b>	Occupancy-based Automation Pure-hardware, real-time anti-theft protection Automatic video switching at conference table
<b>Compliances</b>	HDMI 1.3, DVI 1.3, HDCP 2.2

## Available Upgrades

<b>Add ShareView Video Conferencing</b>	Add capability for sharing local content in a video conference
---	--

Specifications are subject to change without notice