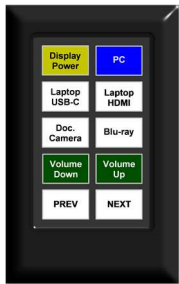


TekTouchPad - Wall

78034 Installation Guide

Included in this Product Package:



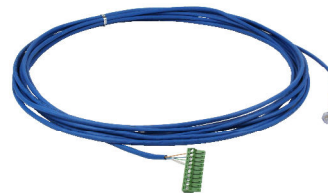
TekTouchPad



Back Mounting Plate



Single-Gang Bracket

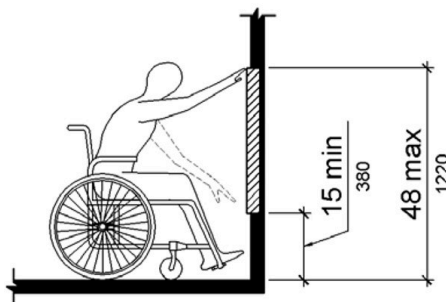


25' Serial Cable



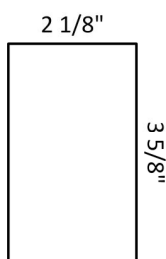
6-32 Machine Screws (2)

Step 1: Select Location for TekTouchPad



TekTouchPad mounting location should be conveniently and easily accessible. If possible, mount TekTouchPad centered between two wall studs to minimize chances of interference. Do not mount TekTouchPad where it may interfere with electrical wiring, water lines, or any other existing infrastructure. In order to conform to ADA standards, do not mount TekTouchPad higher than 48" off of the ground. TekTouchPad, once mounted, occupies a space 2-3/4" wide & 4-1/2" tall.

Step 2: Cut Hole for Single-Gang Bracket



In desired TekTouchPad location, use a pencil to lightly sketch a 2-1/8" wide x 3-5/8" tall rectangle for locating the single-gang bracket. *Confirm that the wall in the selected location is free of electrical wiring, water lines, wall studs, or any other obstructions before making any cuts.*

Using a drywall saw, carefully cut out the sketched rectangle, discarding the interior portion. Clean away all dust and debris from the cutting process.

Step 3: Mount Single-Gang Bracket



Top-Left Corner

Ensuring that "UL" logo is in the top left corner of the single gang bracket, firmly press the bracket into the rectangular cutout in the wall. Make sure that the bracket seats fully into the wall, with all sides flush against the outer surface.



With the bracket flush against the outside of the wall, gently tighten the two (2) silver screws built into the bracket. These screws rotate and secure the mounting flanges against the opposite side of the wall, ensuring the TCX7 will be secure. Tighten screws until snug. *Do not overtighten*, as this can cause the bracket to warp. Once both screws are tightened, check that bracket is secure and stable.

TekTouchPad - Wall

78034 Installation Guide

Step 4: Attach Back Mounting Plate to Single-Gang Bracket

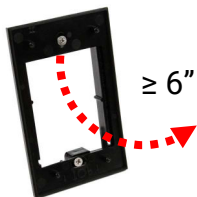


In order to optimize viewing angles for maximum clarity, TekTouchPads are mounted upside-down when installed on a wall

Orient the back mounting plate so that the four mounting posts face out from the wall, and the “↑TOP↑” text faces down. Using the two (2) provided machine screws, attach the back mounting plate to the single-gang bracket. Tighten screws until snug, but *do not overtighten screws*, as this can warp the plate and prevent the TekTouchPad from mounting properly.

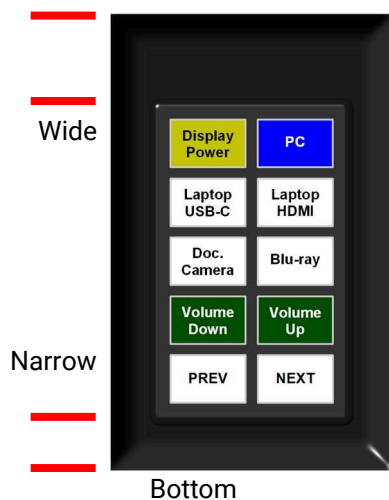
Step 5: Route Cable out through Back Mounting Plate

The cabling instructions detailed are for a common installation style; always consult the system schematic for correct cabling information



Connect 10-pin end of serial cable to TEK3 TekMonitor TekBus port. Route cable from TekMonitor to ceiling directly above TekTouchPad position. Run cable down through wall, and out through the center of the back mounting plate. Pull at least 6” of cable out from wall. Any excess cable should be neatly coiled in ceiling service loop.

Step 6: Connect & Mount TekTouchPad



Connect clear plastic RJ12 head of serial cable to port on back of TekTouchPad. Orient TekTouchPad so that wider portion of housing is on top.

Without pushing directly on the screen, gently push TekTouchPad towards back mounting plate, ensuring that the cable does not get pinched, kinked, or bent too sharply, and that there is not excessive stress on the head. Do not bunch cable within bracket.

Align the four posts on the back mounting plate with the four holes on the back of the TekTouchPad housing. Once aligned, push the TekTouchPad towards the mounting plate until mounted securely. Check that the TekTouchPad does not move when pressed.

The TekTouchPad is now fully installed. To remove for any reason, simply reverse Step 6.