

Distance Learning Classroom

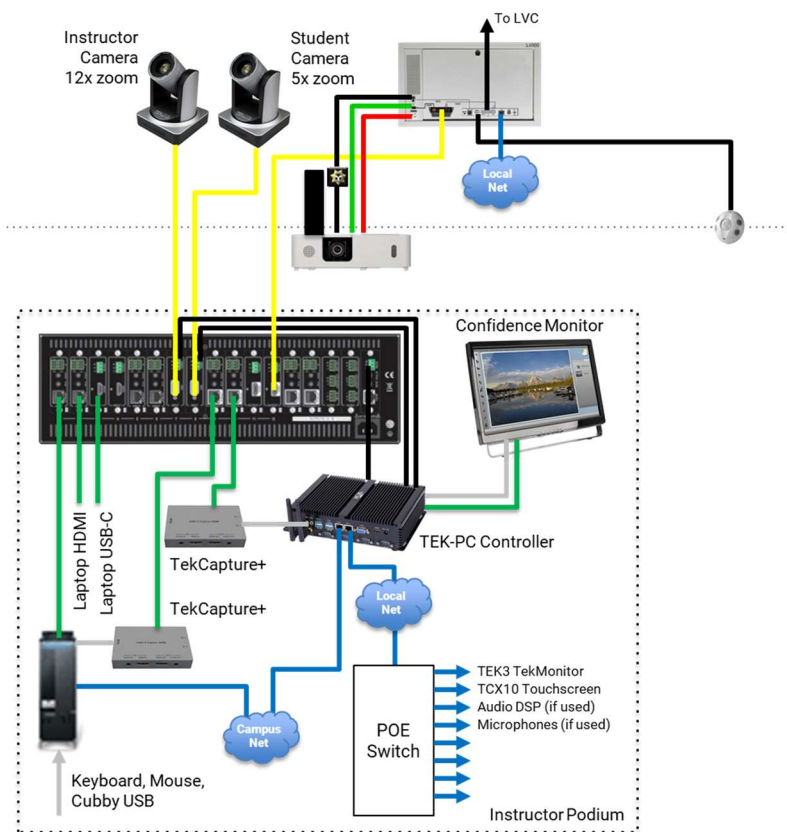
81200-DLC Data Sheet

The 81200-DLC Drop-In A/V® Solution is the pinnacle of modern classroom A/V control, with powerful capabilities & extensive customization options at a revolutionarily low price. Flexible matrix switching, controllable PTZ cameras, content broadcasting & recording, occupancy-based automation and more make TEKVOX's Distance Learning Drop-In the most versatile option for customers who want complete control of their advanced, modern classroom.

The 81200-DLC utilizes USB to HDMI encoders to enable a customer PC & TEK-PC controller to act as the codecs for the system, recording or broadcasting camera footage and content simultaneously with no additional hardware. A local DHCP server on the TEK-PC allows the room to operate on its own local network, ensuring that everything works even in the event of a network outage. A combination touchscreen and confidence monitor allows synchronized room control & previewing of sources. Finally, the 81200-DLC supports extensive customization, including advanced audio subsystems, microphone arrays, additional sources or displays, and equipment for larger rooms.

Features:

- Flexible matrix switching of an easily expandable number of sources and displays
- Content recording & broadcasting from customer PC or TEK-PC controller
- Multiple PTZ cameras record instructor and students in crisp 1080p resolution
- Room control works even during a network outage thanks to local DHCP server on TEK-PC
- Extensive customization options for upgrading sources, displays, or VTC capabilities
- Shipped fully functional, pre-programmed, and rigorously tested



Distance Learning Classroom

81200-DLC Technical Specifications

Inputs (default)	2 HDMI (19-pin, Female) – Customer PC & Laptop HDMI 1 USB-C (19-pin HDMI, Female) – Laptop USB-C w/ Power Delivery 2 HDBase-T (Female) – PTZ Cameras
Supported Resolutions	Up to 4Kx2K @ 60Hz
User Interface	ELO Touchscreen Monitor TCX10 10" Touchscreen Controller
Display Support	Single Display (default), supports multiple displays
Cameras	12x zoom PTZ camera – Instructor 5x zoom PTZ camera – Students
Maximum Transmission Distance (switcher to cameras or display)	1080p: 330ft (100m) 4K: 230ft (70m)
Additional Features	Occupancy-based Automation Pure-hardware, real-time anti-theft protection LVC screen lift control for electric projection screens Real-time confidence monitor / touchscreen for presented content Broadcast or record camera footage and local content simultaneously Local DHCP server for room operation during network outage
Compliances	HDMI: 1.4 HDCP: 2.2 HDBaseT: 1.0

Available Upgrades

Additional Displays	Add support for multiple independent displays
Additional Sources	Add mounting hardware and connections for one or more extra sources
Large Room Upgrade	LR occupancy sensor & cameras (20x Instructor Cam, 12x Student Cam)
Advanced Audio Subsystem	May include audio DSP, microphone arrays, multi-channel amplifier, etc.

Specifications are subject to change without notice