



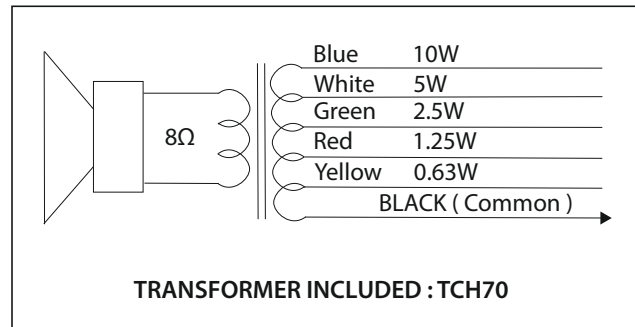
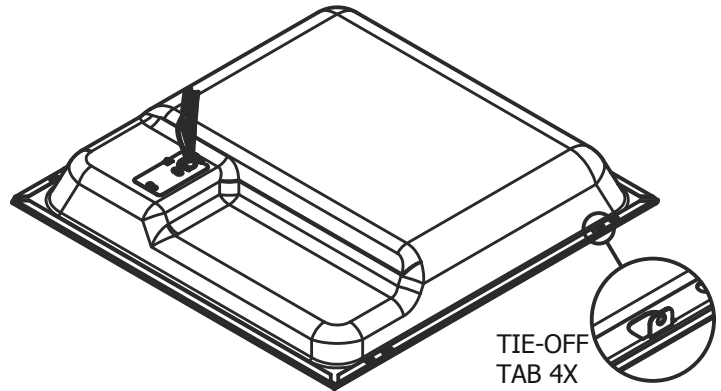
**Preparation**

- A) Cut ceiling tile as required for 2' x 2' format loudspeaker:
  - 2' x 2' tile – No cutting required.
  - 2' x 4' tile – Cut tile in half along 2' axis.

**Termination**

Steps A-B – Required only if using conduit clamp fitting **other than what is provided** with product.

- A) **Loosen, but do not remove screws** on cover plate; push up and remove plate from assembly.
- B) **Remove cable/conduit clamp fitting from plate**; Install UL Listed metallic enclosure entry fitting for plenum cable or flex whip.
- C) **Feed supply cable through whip to connector.** Make connections per wiring diagrams at right; **insulate all unused taps from each other and enclosure.** When cover plate is secured, all connections/splices and unused leads must be inside of the enclosure.



**Installation**

- A) Place assembly onto ceiling grid, install 24" T-bar trim piece where required (furnished only with specific 1'x2' formats).

**NOTE!** AHJ/ local codes may require **tie-off to structure**. Bend up tie-off tabs as shown in illustration and install as directed.

**NOTE!** AHJ/ local codes may require **tie-down to grid**. Recommended fasteners; not supplied: Erico/Caddy part ATA4i and 1/4"-20 x 2" bolt, or equivalent. Install as directed.

- B) Place remaining ceiling tile into opening as required.