



**PURERESONANCEAUDIO®**

PD4 4 INCH PENDANT SPEAKER

# **INSTALLATION AND OPERATION MANUAL**



Caution: Please read this manual carefully before operating.  
Damage caused by misuse is not covered by the warranty.

# INTRODUCTION

## DESCRIPTION

Designed to meet the needs of all open-ceiling applications, the Pure Resonance Audio PD4 4" indoor/outdoor pendant speaker is weather-resistant, high powered, and easy to install. The PD4 uses an acoustically matched 4" and 1" tweeter to maximize performance while minimizing the overall footprint of the speaker. With the addition of a 70-volt transformer, the PD4 can be easily integrated into any distributed commercial audio system. The PD4 is perfect for restaurants, retail stores, offices, warehouses, or any application where paging and background music is required. With the optional surface-mount and ground stake kit, the PD4 can adapt to meet the demands of any application.

## FEATURES

- Durable weather-resistant construction
- 70V/100V transformer for commercial applications
- Tap settings
  - 70V: 8 ohm, 2W, 4W, 8W, 16W
  - 100V: 8 ohm, 4W, 8W, 16W
- Includes pendant mounting hardware
- Available in black (PD4) and white (PD4W)

## SPECIFICATIONS


Power Handling	25 Watts RMS; 70 Watts Peak
Frequency Response ( $\pm 3$ dB)	95 Hz - 20 kHz
Frequency Response ( $\pm 10$ dB)	65 Hz - 20 kHz
Sensitivity	85db 1m/1w
Impedance	8 ohm
Peak Output	103dB
Woofers	4 inch
Tweeter	3/4 inch
Transformer	70V: 2W/4W/8W/16W 8 ohm 100V: 4W/8W/16W 8 ohm
Connections	Four-pin Euroblock
Grill	Baked black or white aluminum
Certifications	REACH, RoHS
Dimensions (H x Dia.)	7" (177.8 mm) x 5" (127 mm)
Shipping Dimensions (H x W x D)	8.27" (210 mm) x 8.98" (228 mm) x 6.81" (173 mm)
Weight	3.4 lbs (1.54 kg)


# SAFETY PRECAUTIONS

- Be sure to read the instructions in this section carefully before use. The included conventions of safety symbols and messages are regarded as very important precautions.
- We recommend you keep this instruction manual handy for future reference.

## SAFETY SYMBOL AND MESSAGE CONVENTIONS

Safety symbols and messages described below are used in this manual to prevent bodily injury and property damage which could result from mishandling. Before operating this product, read this manual first and understand the safety symbols and messages so you are thoroughly aware of the potential safety risks.

 **WARNING!** Indicates a potentially hazardous situation which, if mishandled, could result in death or serious personal injury.

 **CAUTION!** Indicates a potentially hazardous situation which, if mishandled, could result in moderate or minor personal injury, and/or property damage.

## **WARNING!**

### IMPORTANT SAFETY INSTRUCTIONS

**\*\*\*THIS PRODUCT MUST BE INSTALLED BY A QUALIFIED TECHNICIAN.  
THE PROVIDED INSTALLATION HARDWARE MUST BE USED TO INSTALL THIS PRODUCT.  
SPEAKER UNIT MUST BE ATTACHED BY A SAFETY CABLE!\*\*\***

Pro Acoustics is not responsible for the structural integrity of the installation. Please make sure a qualified technician installs this product and the building's engineer or architect has approved the equipment and installation.

1. DO NOT block any ventilation openings. Install in accordance with all safety standards and regulations.
2. DO NOT install near any heat source such as stoves, radiators, heat registers, amplifiers or any other apparatus producing heat.
3. USE attachments and accessories as indicated by the manufacturer.
4. REFER all servicing to qualified service personnel. Servicing is required when the apparatus has been damaged in any way, such as power-supply cord or plug is damaged or objects have fallen into the apparatus, the apparatus does not operate normally, or has been dropped.

\*No user-serviceable parts inside. Refer all servicing to qualified service personnel.

\*WARNING: To prevent injury, this apparatus must be securely attached in accordance with the installation instructions. No naked flame sources – such as candles – should be placed close to the product.

\*CAUTION: Changes or modifications not expressly approved by the manufacturer could void the user's warranty.

## **CAUTION!**

**READ THESE INSTRUCTIONS THOROUGHLY BEFORE INSTALLING THE UNIT WITH THE GROUND STAKE ACCESSORY KIT.**

Although they are designed to withstand the elements, there are precautions you should take to optimize the long-term performance of your speaker. Keep soil and wood chips from covering the speaker grill. If soil accumulates on the grill, it can be rinsed away with low water pressure. Chemicals commonly used in the yard can potentially damage the rubber elements of the speaker. Avoid spraying such chemicals onto or near the speaker. Also, avoid placing the speakers where the grill area will come in direct contact with sprinklers.

# INSTALLATION & OPERATION GUIDE

## SPEAKER PLACEMENT

- If you desire music over a wide area, it is best to have a larger number of speakers playing at low volume, rather than a few speakers playing at high volume. Keep this in mind when designing your pendant system.
- Ideally, you should place the speakers as close to the primary listening area as possible. The perceived volume of the speaker decreases rapidly as it is moved further from the listener.

## CONNECTING THE SPEAKER TO YOUR SYSTEM

1. The 4-pin Euroblock plug allows for speaker wire input as well as speaker wire output to easily daisy chain speakers in 70V applications.
2. Determine the locations for the speakers and estimate the length of the additional wire you will need for each speaker.
3. Connect the speaker wires from your amplifier to the pendant speakers.

**IMPORTANT:** Be sure not to let any stray “+” and “-” strands touch each other. Touching strands can cause a short circuit that could damage the amplifier.

### PLEASE NOTE:

Confirm that you have connected the speaker “+” to the amplifier “+” and the speaker “-” to the amplifier “-”.

4. Turn your amplifier on and test the system with your favorite music.

## PENDANT MOUNTING

### PLEASE NOTE:

Before beginning installation be sure to take precise measurements.

1. Unpack the speaker unit and mounting hardware.
2. Thread the bare end of the hanging or safety cable through the Fastlink wire joiner.
3. Attach the hanging or safety cable by securing it to or around the structure the speaker will hang from.
4. Thread the cable back through the Fastlink wire joiner and pull to tighten.

### PLEASE NOTE:

It is imperative that the needed cable length is measured precisely. The tension cannot be loosened once pulled through the Fastlink.

5. Attach the carabiner through the eye end of the cable.
6. Run the speaker wire through the oval-shaped hole in the top cover plate.
7. Connect the speaker wire to (+) and (-) inputs. Use the extra (+) and (-) for daisy-chaining.
8. Select the desired tap setting.
9. Place the cover plate onto the top of the speaker unit.
10. Screw in the eye bolt until fully tightened and the top cover plate is secure.
11. Attach the carabiner through the eye bolt.
12. Your speaker should now be securely installed.

# BASIC SPEAKER INSTALLATION - 70 VOLT SYSTEMS AND APPLICATIONS

Figure 1.

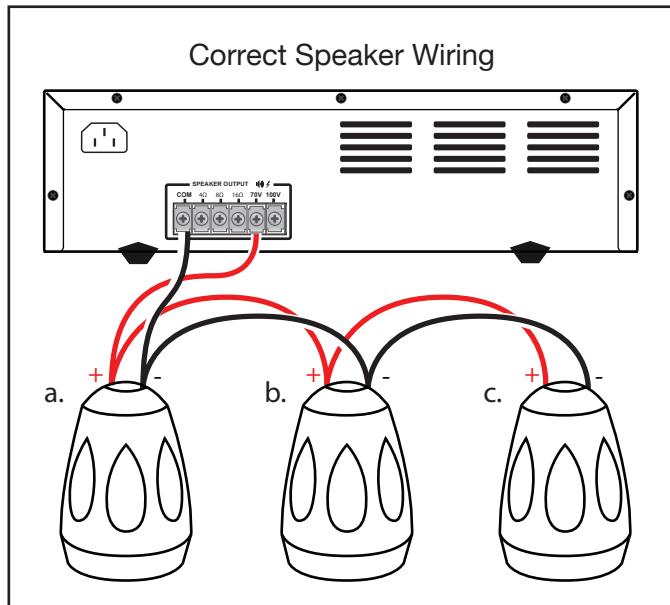
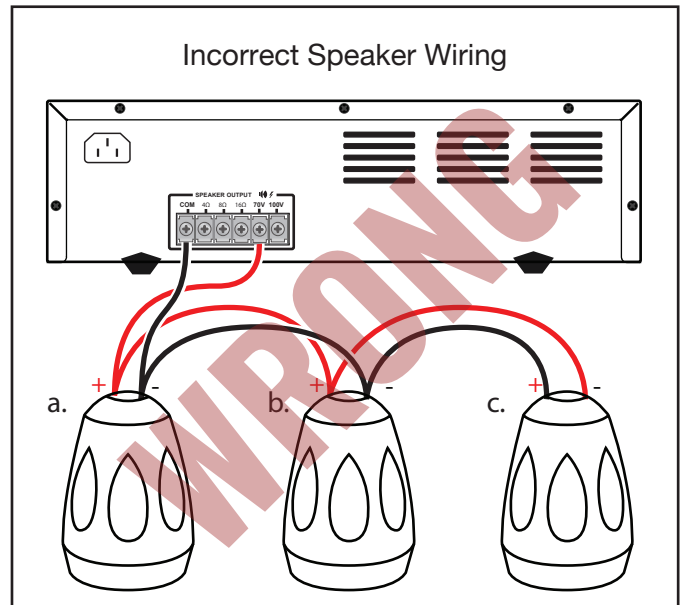


Figure 2.



Be careful not to cross wires when installing your speakers. Wiring should always be negative to negative and positive to positive (Figure 2. shows speaker c. incorrectly wired).

# BASIC ATTENUATOR/VOLUME CONTROL INSTALLATION

Figure 3.

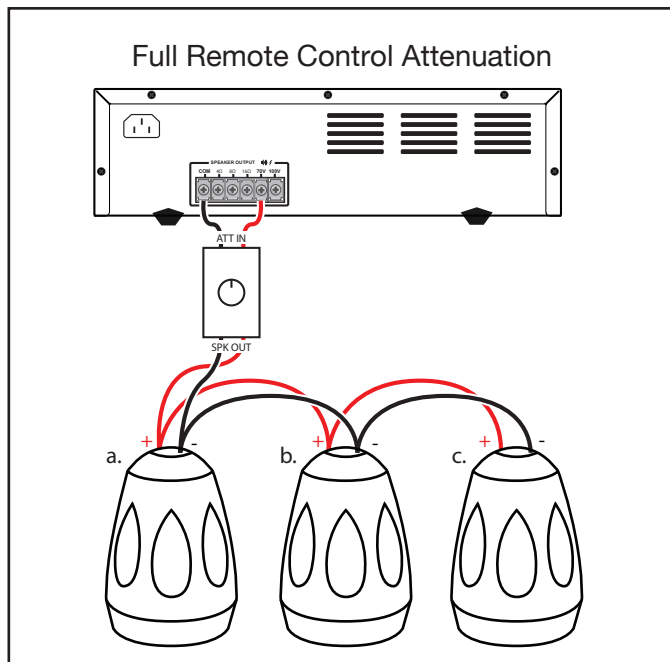
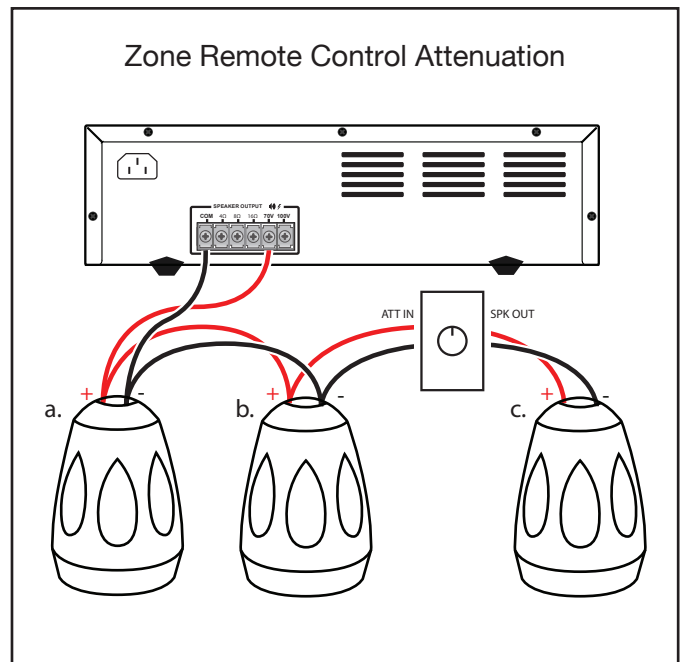


Figure 4.



# SERVICE

Ensure the problem is not related to operator error or system devices that are external to this unit. Information provided in the troubleshooting portion of this manual may help with this process. Once it is certain that the problem is related to the product, contact your warranty provider as described in the warranty section of this manual.

## LIMITED WARRANTY

PRO ACOUSTICS, LLC. ("PRO ACOUSTICS") warrants this product to the original purchaser to be free from defects in materials and workmanship (subject to the terms set forth below), for the following periods from the date of purchase.

### THIS WARRANTY COVERS THE LISTED PRODUCTS AGAINST DEFECTS IN MATERIALS OR WORKMANSHIP FOR THE FOLLOWING PERIOD

Warranty Terms	
Speakers	2 Years
Amplifiers & Electronics	1 Year
Microphones	1 Year
Accessories	1 Year

PRO ACOUSTICS will repair or replace (at PRO ACOUSTICS's option) this product or any defective parts (excluding electronics and amplifiers) in this product.

Your authorized PRO ACOUSTICS dealer will inspect the product and, if your dealer is not equipped to perform the repair of your PRO ACOUSTICS product, they will replace your product or return it to PRO ACOUSTICS for repair, at their discretion. Proof of purchase in the form of a bill of sale or receipted invoice, which is evidence that this product is within the warranty period, must be presented to obtain warranty service.

This warranty is invalid if the factory applied serial number has been altered or removed from this product. This warranty is invalid if this product was not purchased from a PRO ACOUSTICS authorized dealer. Cosmetic damage or damage due to accident, acts of God, misuse, abuse, negligence, commercial use, or modification of, or to any part of, the product are not covered in this warranty. This warranty does not cover damage due to improper operation, maintenance or installation, or attempted repair by anyone other than PRO ACOUSTICS or a PRO ACOUSTICS dealer which is authorized to do PRO ACOUSTICS warranty work. Any unauthorized repairs will void this warranty.

This warranty does not cover products sold as is.

REPAIRS OR REPLACEMENTS AS PROVIDED UNDER THIS WARRANTY ARE THE EXCLUSIVE REMEDY OF THE CONSUMER/PURCHASER. PRO ACOUSTICS U.S.A. SHALL NOT BE LIABLE FOR ANY INCIDENTAL OR CONSEQUENTIAL DAMAGES FOR BREACH OF ANY EXPRESS OR IMPLIED WARRANTY ON THIS PRODUCT. EXCEPT TO THE EXTENT PROHIBITED BY LAW, THIS WARRANTY IS EXCLUSIVE AND IN LIEU OF ALL OTHER EXPRESS AND IMPLIED WARRANTIES WHATSOEVER, INCLUDING BUT NOT LIMITED TO, THE WARRANTY OF MERCHANTABILITY AND FITNESS FOR A PRACTICAL PURPOSE.

This warranty gives you specific legal rights. You may have other rights which vary from state to state.

Specifications may change without notice.

**PURE RESONANCE AUDIO®**  
(866) 676-7804  
sales@pureresonanceaudio.com  
www.PureResonanceAudio.com