

TCX10 - Wall

78042-10A Installation Guide

Included in this Product Package:



TCX10 Touchscreen Controller (x1)



Single Gang Bracket (x1)



Spacer Plate* (x1)



Device Plate (x1)

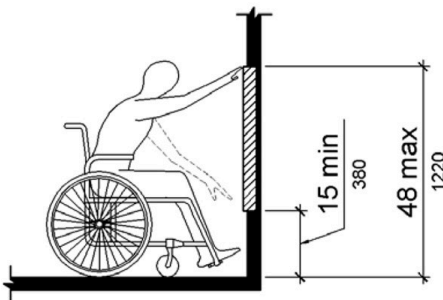


6-32 Machine Screws (2)



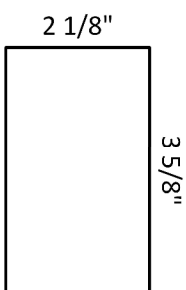
#1 Security Screws (x2)

Step 1: Select Location for TCX10



TCX10 mounting location should be conveniently and easily accessible. If possible, mount TCX10 centered between two consecutive wall studs to minimize chances of interference. Do not mount TCX10 where it may interfere with electrical wiring, water lines, or any other existing infrastructure. In order to conform to ADA standards, do not mount TCX10 higher than 48" off of the ground. TCX10, once mounted, occupies a space 10" wide & 7 1/2" tall.

Step 2: Cut Hole for Single Gang Bracket



In desired TCX10 location, lightly sketch a 2 1/8" wide by 3 5/8" tall rectangle for locating the single gang bracket. Confirm that the space behind this rectangle is free of electrical wiring, water lines, wall studs, or any other obstructions.

Using a drywall saw, carefully cut out the rectangle, and discard the interior portion. Using a vacuum, carefully clean away any drywall dust remaining from the cutting process.

Step 3: Mount Single Gang Bracket



Ensuring that "UL" logo is in the top left corner of the single gang bracket, firmly press the bracket into the rectangular cutout in the wall. Make sure that the bracket seats fully into the wall, with all sides flush against the outer surface.

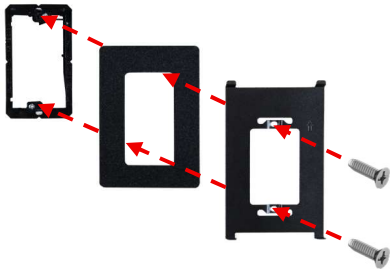


With the bracket inserted into the wall, gently tighten the two (2) silver screws built into the bracket. These screws rotate and secure the mounting flanges against the opposite side of the wall, ensuring the TCX10 will be secure. Tighten screws until snug. *Do not overtighten*, as this can cause the bracket to warp. Once both screws are tightened, check that bracket is secure and stable.

TCX10 - Wall

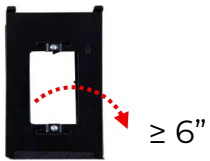
78042-10A Installation Guide

Step 4: Attach the Spacer Plate & Device Plate¹



Using the two (2) provided machine screws, attach the TCX10 spacer and device plates to the single gang bracket, ensuring that the mounting tabs are facing upwards. Tighten screws until snug to prevent plate from moving during installation and use. *Do not overtighten screws*, as this can cause warping of the device plate.

Step 5: Route Cable Through Device Plate



Route cable from PoE-capable network port through wall & out rectangular hole in the device plate. If routing cable through a Plenum, **ONLY** use cable rated for use in Plenum spaces. Pull cable through at least 6" to allow connection to the TCX10 in the next step.

Step 6: Connect & Mount TCX10



Connect CAT cable to the port on the back of the TCX10. Before mounting, ensure that other end of the cable is connected to a PoE-capable network. Wait for the TCX10 to power on, and confirm that it has a network connection.



Gently push TCX10 towards device plate, ensuring that the cable does not get pinched, kinked, or bent too sharply, and that there is not excessive stress on the head.

Align the two indentations on the back of the TCX10 with the mounting tabs on the device plate. Once aligned, push TCX10 towards mounting plate until flush.

Step 7: Install Security Screws



Using the provided Allen wrench, install the two (2) #1 security screws into the holes on the bottom of the TCX10 until just snug.

The TCX10 Touchscreen Controller is now fully installed. To remove, reverse steps 6-7.

¹ The Spacer Plate is shipped already glued to the Device Plate